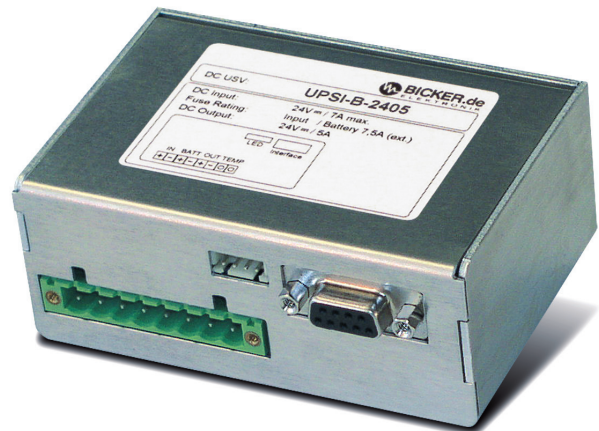


# UPSI-B-2405

## 24 V / 5 A

- Operating temperature -30...+70 °C
- Reboot function
- Monitoring interface

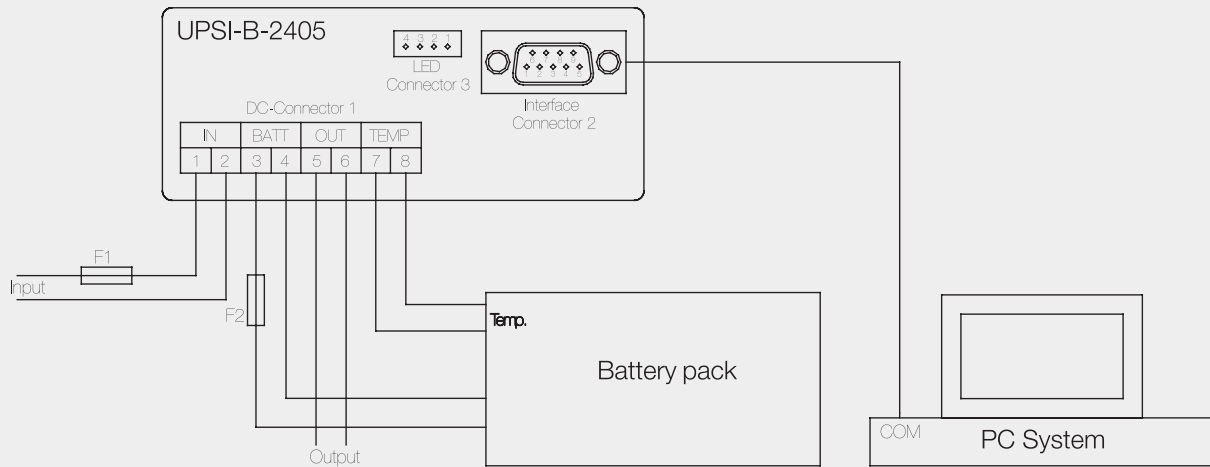
The UPSI-B-2405 buffers DC supplied systems by online technology via an intermediate DC link, which guarantees interrupt-free power for DC consumers loads with short hold times. An interface for connection to the operating system of the computer is provided. With the "Reboot" function the UPSI-B-2405 features an integrated auto-recovery routine to ensure a restart after a shut-down of the computer was initiated.



Technical data	
Input voltage	24 VDC (20...36 V)
Input current	7 A max.
Output voltage	Normal mode: app. 0.4 V below input voltage Battery mode: app. 30.9...19.5 VDC
Output power	120 Watt
Battery charge current	1 A max. (internal battery charger)
Charging voltage	26.4...30.9 VDC, depending on temperature
Protection	Discharge protection of battery: 19.5 VDC $\pm$ 2 % Overvoltage protection: From >32 VDC the UPSI-B-2405 switches to battery mode to protect the downstream consumer loads
Transfer time / transfer limits	0 ms
Back up time	Depending on battery capacitance and load
Interface	DSUB9 female, open collector, potential-free for Outputs: Power fail, battery low Input: Shutdown
Battery type	Maintenance-free lead tin battery (Hawker Cyclon)
Operating temperature	-30...+70 °C
Dimensions (WxDxH)	100 x 68 x 40 mm, $\pm$ 0.5 mm
Weight (net)	App. 0.2 kg

Product specific data	
Switch over voltage	Normal mode to battery mode 20 VDC $\pm$ 2 %, measured at minimum load of 0.5 A Battery mode to normal mode 22 VDC $\pm$ 2 %, battery low 21 VDC $\pm$ 2 %
Inverse-polarity protection / input	Fuse 7.5 A (must be provided on-site by customer)
Inverse-polarity protection / battery	Fuse 7.5 A (at battery pack BP-2425)
Software (optional)	UPS software RUPS2000 OEM, for all established operating systems
LED display	3 colour LED connector for: Power ok (green) / Power Fail (orange) Battery Low (red / orange flashing) / Battery defect (red / green flashing)
Battery capacitance	24 V / 2.5 Ah, recommended Battery pack , BP-2425 or BP-2425C
Battery monitoring	Battery test is carried out every 10 minutes in normal mode
Shutdown-Suppression	The Shutdown signal is disabled for about two minutes after startup, because a possible interface test of Windows® combined with a mains failure at the same time would switch the module off.
Reboot function	If DC IN fails and main power returns during shutdown mode of Windows®, the operating system will 'lock' with the message "Your PC is now safe". The reboot function restarts the system after about 5 seconds (operator intervention not required).
Power consumption	App. 100 mA

## Drawing UPSI-B-2405



### DC connector 1: Power

- 1 DC input +
- 2 GND
- 3 Battery +
- 4 Battery -
- 5 DC Output +
- 6 GND
- 7 Temperature sensor battery (NTC 10K)
- 8 Temperature sensor battery (at battery pack BP-2425)

#### DC connector 1:

Plugable quick clamp connection,  
Phoenixcontact (included in delivery)  
Order No. FKC 2,5 HC/8-STF-5,08

### Interface connector 2: DSUB9 interface for RUPS2000

- 1 n.c.
- 2 Power Fail, collector
- 3 n.c.
- 4 Reference, Power Fail, Battery Low, emitter
- 5 Battery Low, collector
- 6 Shutdown input
- 7 Reference Shutdown
- 8 n.c.
- 9 n.c.

### LED connector 3: LED display

- 1 GND
- 2 Power LED (green)
- 3 Batterie Low LED (red / orange flashing)
- 4 n.c.
- Power Fail (orange)
- Battery defeyt (red / green flashing)

Note: Installing a 7.5 A fuse on site at both the input (F1) and output (F2) (e.g. Pudenz Order-No. 162.6185.475) is recommended.

Tolerance ±0.5 mm

**Optional accessory** >>> For detailed information please visit our website [www.bicker.de](http://www.bicker.de) and refer to the article number.

Article No.	Description
BP-2425-05	Battery pack, 24 VDC / 2.5 Ah / -30...+70 °C
BP-2412A	Battery pack, 24 VDC / 1.2 Ah / 0...+40 °C
RUPS2000 OEM	UPS software bundle