

# BES-640T

400 Watt

- +48 V DC input
- Temperature-controlled ball-bearing fan
- Impressive 30 A at 12 V

The 400 W DC PC power supply BES-640T provides a +48 V DC input for powering computer systems applied in automation or telecommunications systems. Due to its wide range input from 36 to 72 V DC the BES-640T remains unaffected by input voltage fluctuations. Thanks to its good performance of 30 A at the +12 V output it is the ideal power supply for high-performance computer systems.



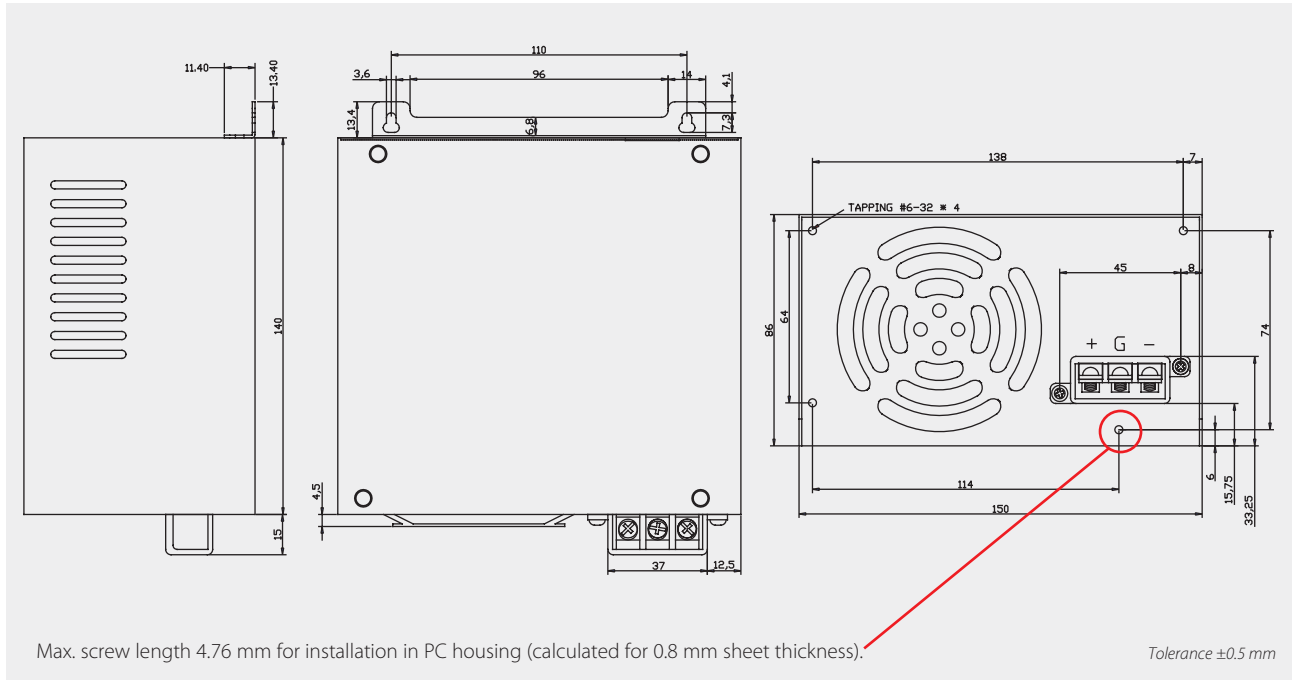
Technical data	
Input voltage	+48 VDC (36...72 V)
Input current	13 A max. at 48 VDC
Efficiency	App. 75 % at full load
Hold up time	App. 8 ms at +48 V and full load
Power-Good-Signal	Switch on delay 100...500 ms
Protection	Short circuit protection: Switch off with auto-recovery Inverse polarity input: existing Overvoltage protection: +3.3 V (+3.9...+4.1 V), +5 V (+6.1...+6.5 V), +12 V (+13.8...+14.8 V)
Safety / EMC	Designed according to EN 60950, UL 60950
Operating temperature	0...+50 °C
Storage temperature	-20...+80 °C
Operating humidity	20...85 % RH, non-condensing
Dimensions	150 x 140 x 86 mm ±0.5 mm
Weight (net)	1.65 kg

Product specific data	
Max. operating height	10 000 feet above sea level

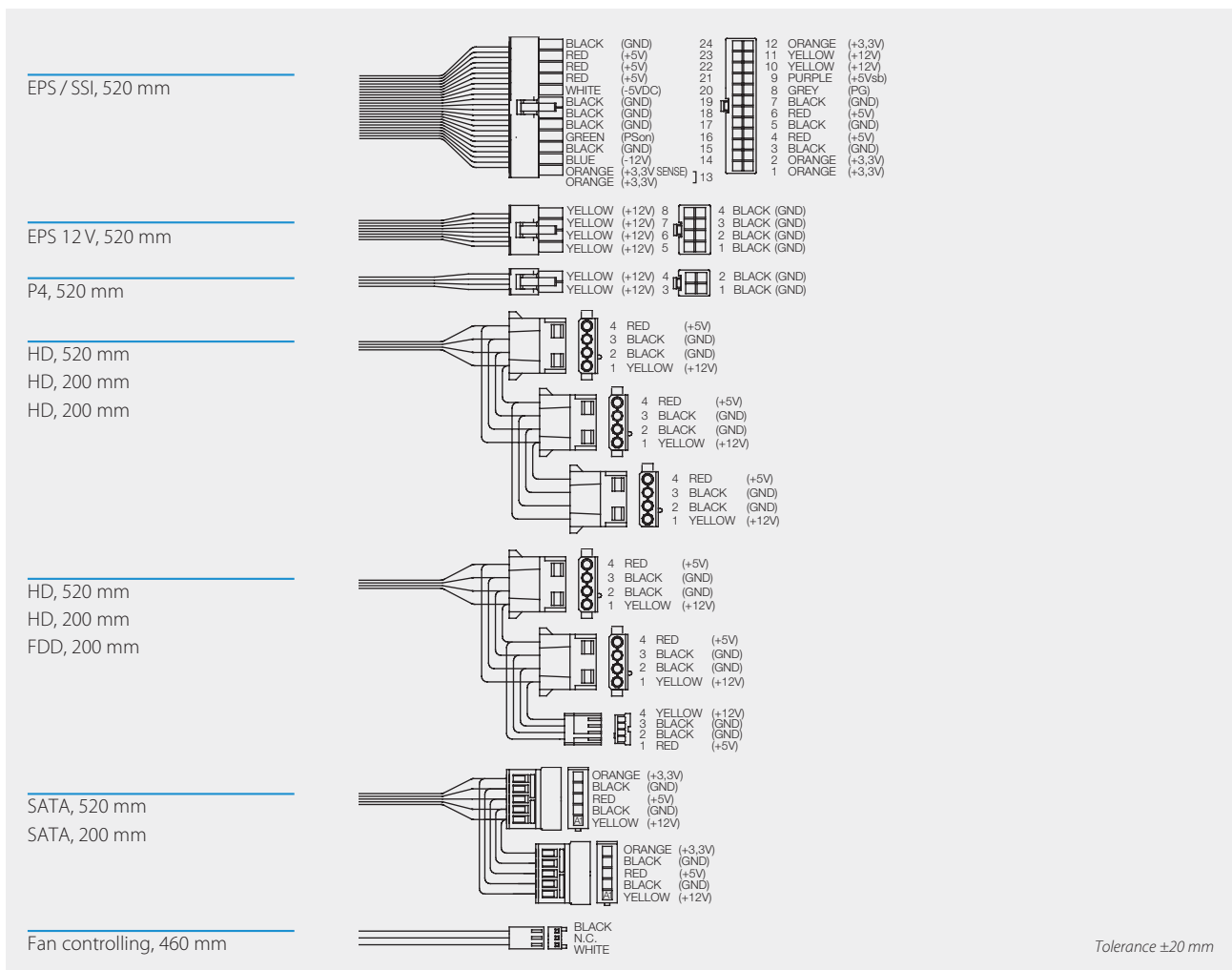
Article No.	Output voltage	Output current		Load regulation	Line regulation	Cross regulation	Ripple & Noise
		min	max				
BES-640T	+3.3 V	0 A	30 A	±5 %	±1 %	±5 %	±50 mV
	+5 V	2 A	50 A	±5 %	±1 %	±5 %	±50 mV
	+12 V	1 A	30 A	±5 %	±1 %	±5 %	±120 mV
	-12 V	0 A	1 A	±8 %	±1 %	±5 %	±120 mV
	-5 V	0 A	1 A		±1 %	±5 %	±50 mV
	+5 V <sub>sb</sub>	0 A	2 A	±5 %	±1 %	±5 %	±50 mV

Max. output power is 400 W, combined max. output power at +3.3 V and +5 V is 230 W. The +5 V output can supply up to 30 A if +12 V / >3 A is connected. From +5 V / 40 A onwards a load of >10 A must be connected at +12 V. The +12 V output can supply up to 30 A if +5 V / >4 A is connected. Load regulation was done at 60 % of maximum load. Ripple and Noise was measured by a 20 MHz bandwidth limited oscilloscope with connected 10 µF electrolytic capacitor and 100 nF ceramic capacitor at each output. As a power component this PSU is for assembly purposes only and must not be operated in unassembled condition. The final assembly has to comply with the valid EMC and safety standards.

## Drawing BES-640T



## Cable harness BES-640T



Specification is subject to change without notice. Errors excepted. Status as at: 07.04.2014