

# BES-640P

400 Watt



- 120 VDC input
- Temperature-controlled ball-bearing fan
- Powerful 25 A at 12 V

The DC PC PSU BES-640P provides a 120 VDC input in order to supply computer systems for industrial applications or in mobile systems. Due to its wide input voltage range from 90 to 144 VDC this PSU remains unaffected by input voltage fluctuations. By its powerful performance of 30 A at the +12 V output the BES-640P is also the perfect choice for demanding Intel Pentium P4 systems.



DC input

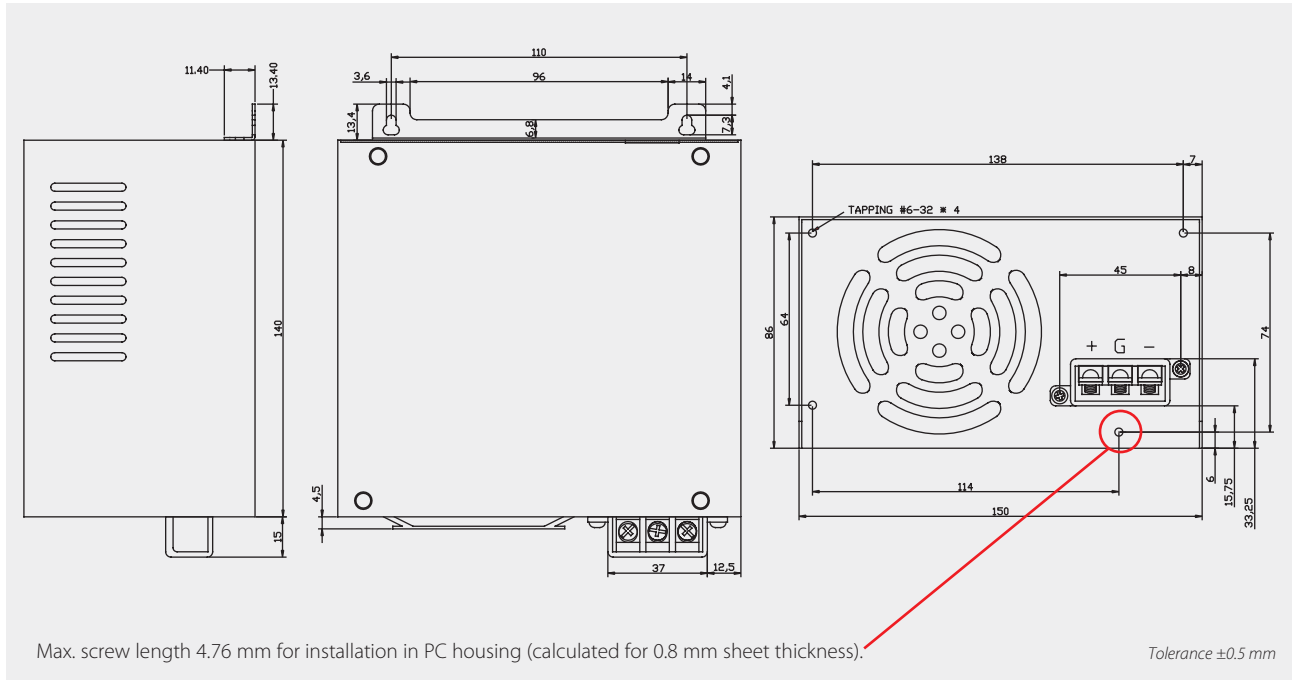
Technical data	
Input voltage	90...144 VDC
Input current	6 A max.
Efficiency	>70 %
Power-Good-Signal	Switch on delay 100...500 ms
Protection	Short circuit protection: Switch off with auto-recovery Inverse polarity protection input: existing Overvoltage protection: +3.3 V (+3.9...+4.1 V), +5 V (+6.1...+6.5 V), +12 V (+13.8...+14.8 V), Switch off
Temperature	Operating: 0...+60 °C / Storage: -20...+80 °C
MTBF	>90000 h at +25 °C
Max. operating altitude	3000 m
Humidity	Operating: 10...85 % RH, non-condensing / Storage: 10...90 % RH, non-condensing
Dimensions (WxDxH)	150 x 140 x 86 mm ±0.5 mm
Weight (net)	1.65 kg

Article No.	Output voltage	Output current min	Output current max	Load regulation	Line regulation	Cross regulation	Ripple & Noise
BES-640P	+3,3 V	0 A	25 A	±5 %	±1 %	±5 %	±50 mV
	+5 V	2 A	50 A	±5 %	±1 %	±5 %	±50 mV
	+12 V	1 A	25 A	±5 %	±1 %	±5 %	±120 mV
	-12 V	0 A	1 A	±8 %	±1 %	±5 %	±120 mV
	-5 V	0 A	1 A	±5 %	±1 %	±5 %	±50 mV
	+5 V <sub>sb</sub>	0 A	3 A	±5 %	±1 %	±5 %	±50 mV

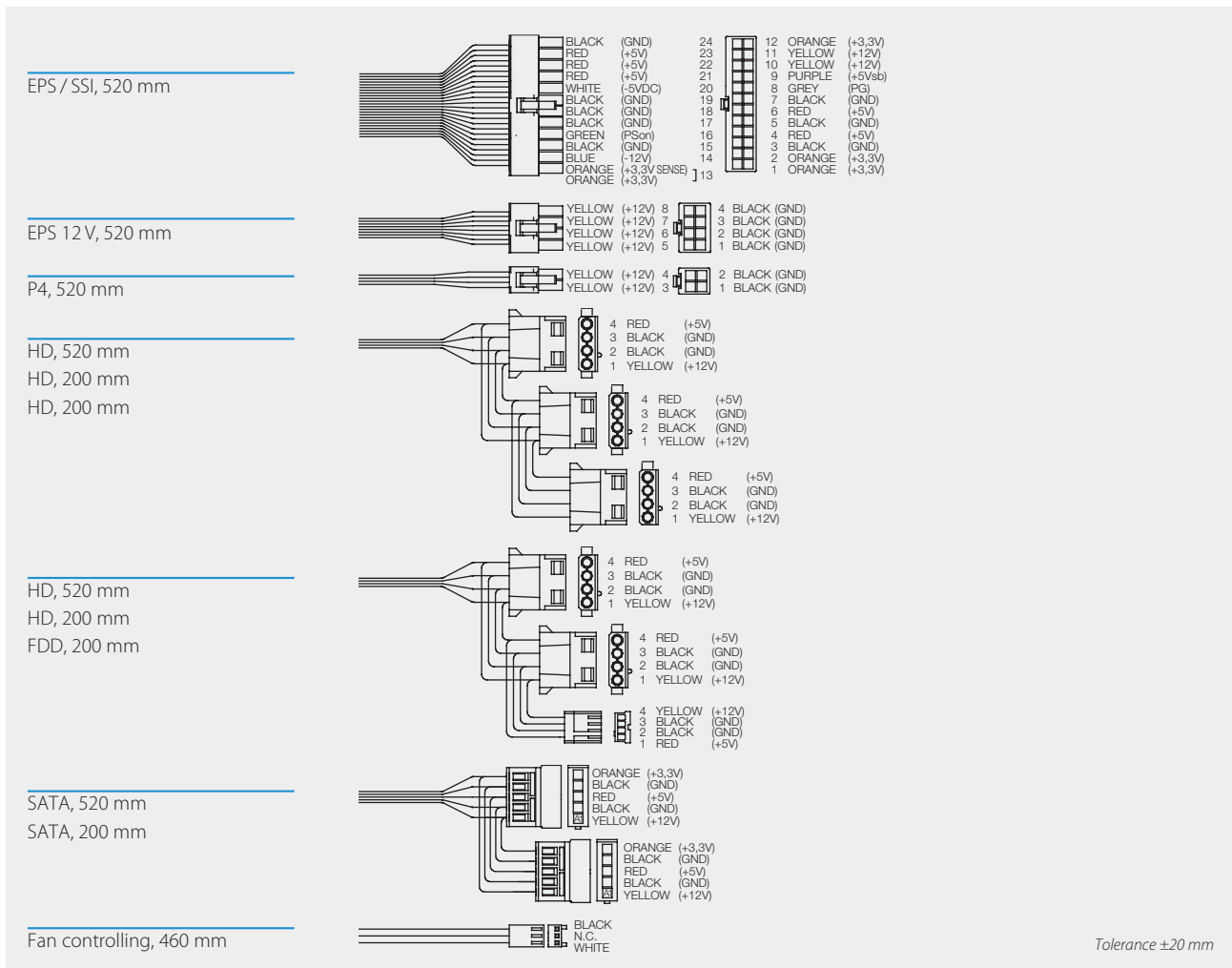
Max. output power is 400 W, combined max. output power at +3.3 V and +5 V is 250 W. The +5 V output can supply up to 30 A if +12 V / >3 A is connected. From +5 V / 40 A onwards a load of >10 A must be connected at +12 V. The +12 V output can supply up to 30 A if +5 V / >4 A is connected. Load regulation was done at 60 % of maximum load. Ripple and Noise was measured by a 20 MHz bandwidth limited oscilloscope with connected 10 µF electrolytic capacitor and 100 nF ceramic capacitor at each output.

As a power component this PSU is for assembly purposes only and must not be operated in unassembled condition. The final assembly has to comply with the valid EMC and safety standards.

## Drawing BES-640P



## Cable harness BES-640P



Specification is subject to change without notice. Errors excepted. Status as at: 22.05.2015