

MPSM-5600V

600 Watt

- Ideal for medical image processing
- Complies with IEC/EN60601-1 – 3rd Edition
- No minimum load required

The PC power supply MPSM-5600V is designed for medical applications. At 600 watts output it is ideally suited for image processing systems equipped with a powerful graphics card. Its modern switching design is dimensioned for maximum energy savings. Even in partial tipping operation its efficiency will not drop below 82 %. High-quality parts ensure long availability of the powered system.



Technical data	
Input voltage	90...264 V AC, active PFC
Input frequency	47...63 Hz
Input current	10 A (115 VAC) / 5 A (230 VAC)
Inrush current	20 A (115 VAC) / 40 A (230 VAC)
Efficiency	82...85 %
Standby consumption	<1.6 W
Hold up time	>16 ms
Power-Good-Signal	Switch on delay 100...500 ms Switch off delay 1 ms
Protection	Short circuit protection: At each output, switch off / +5 V _{sb} , auto-recovery Overload protection: 120...160 %, switch off Overvoltage protection: +3.3 V (+3.6...+4.3 V), +5 V (+5.6...+6.5 V), +12 V (+13.2...+15 V)
Insulation voltage	Input / chassis 3100 VDC (1x MOPP) Input / output 4242 VDC (2x MOPP)
Earth leakage current	<300 µA, 115 VAC / 230 VAC
Safety / EMC	TÜV (IEC/EN60601-1 3rd Edition), UL (UL60601-1), CAN/CSA C22.2 No. 601.1-M90, CE
Temperature	Operating: 0...+40°C / Storage: -40...+80°C
MTBF	140774 h according to MIL-HDBK-217F at +25 °C with fan
Humidity	Operating: 10...85 % RH, non-condensing / Storage: 10...90 % RH, non-condensing
Dimensions (WxDxH)	150 x 160 x 86 mm ±0,5 mm
Weight (net)	2.4 kg

Article No.	Output voltage	Output current		Load regulation	Ripple & Noise
		min	max		
MPSM-5600V	+3.3 V	0 A	25 A	±5 %	50 mV
	+5 V	0 A	25 A	±5 %	50 mV
	+12 V	0 A	45 A	±5 %	120 mV
	-12 V	0 A	0.8 A	±5 %	150 mV
	+5 V _{sb}	0 A	3.5 A	±5 %	50 mV

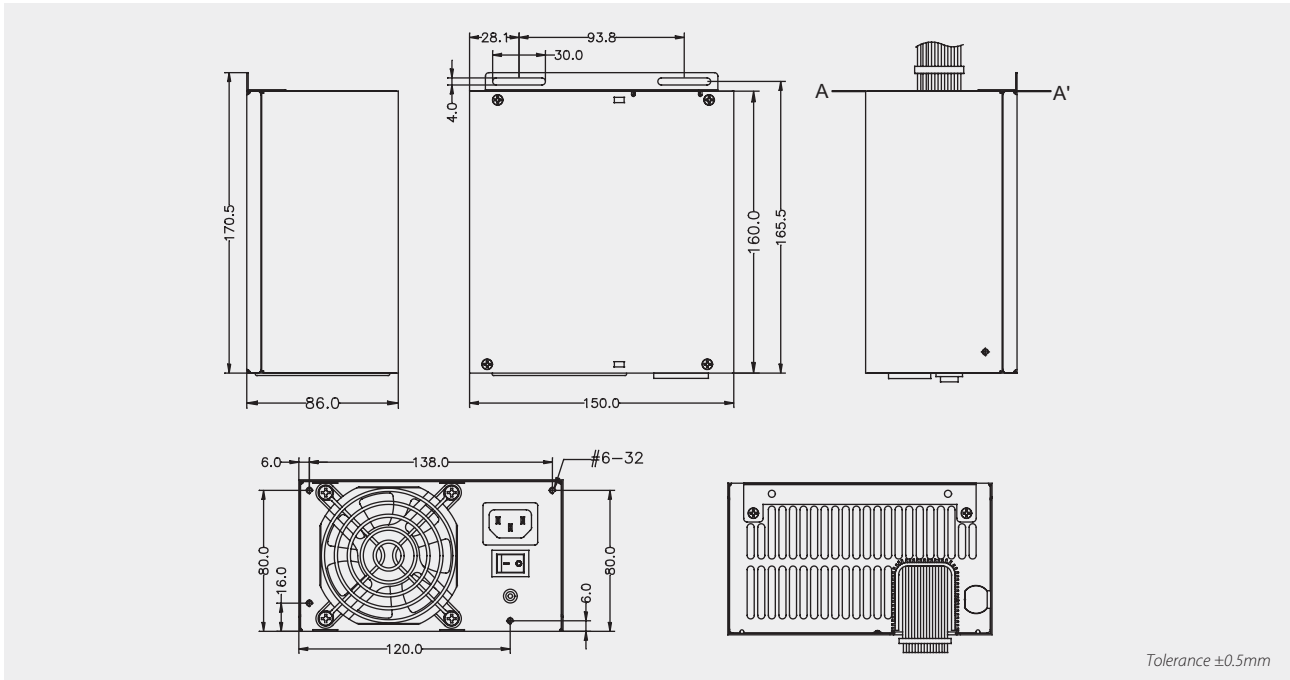
Max. output power is 600 W, combined output power at +3.3 V and +5 V must not exceed 40 A. Ripple and Noise was measured by a 20 MHz bandwidth limited oscilloscope with connected 220 µF electrolytic capacitor and 0.1 µF ceramic capacitor at each output. During a cross regulation test we recommend to keep the channel with higher output load at 80 % of its max. power and the channel with lower output load at 20 % of its max. power.

As a power component this PSU is for assembly purposes only and must not be operated in unassembled condition. The final assembly has to comply with the valid EMC and safety standards.

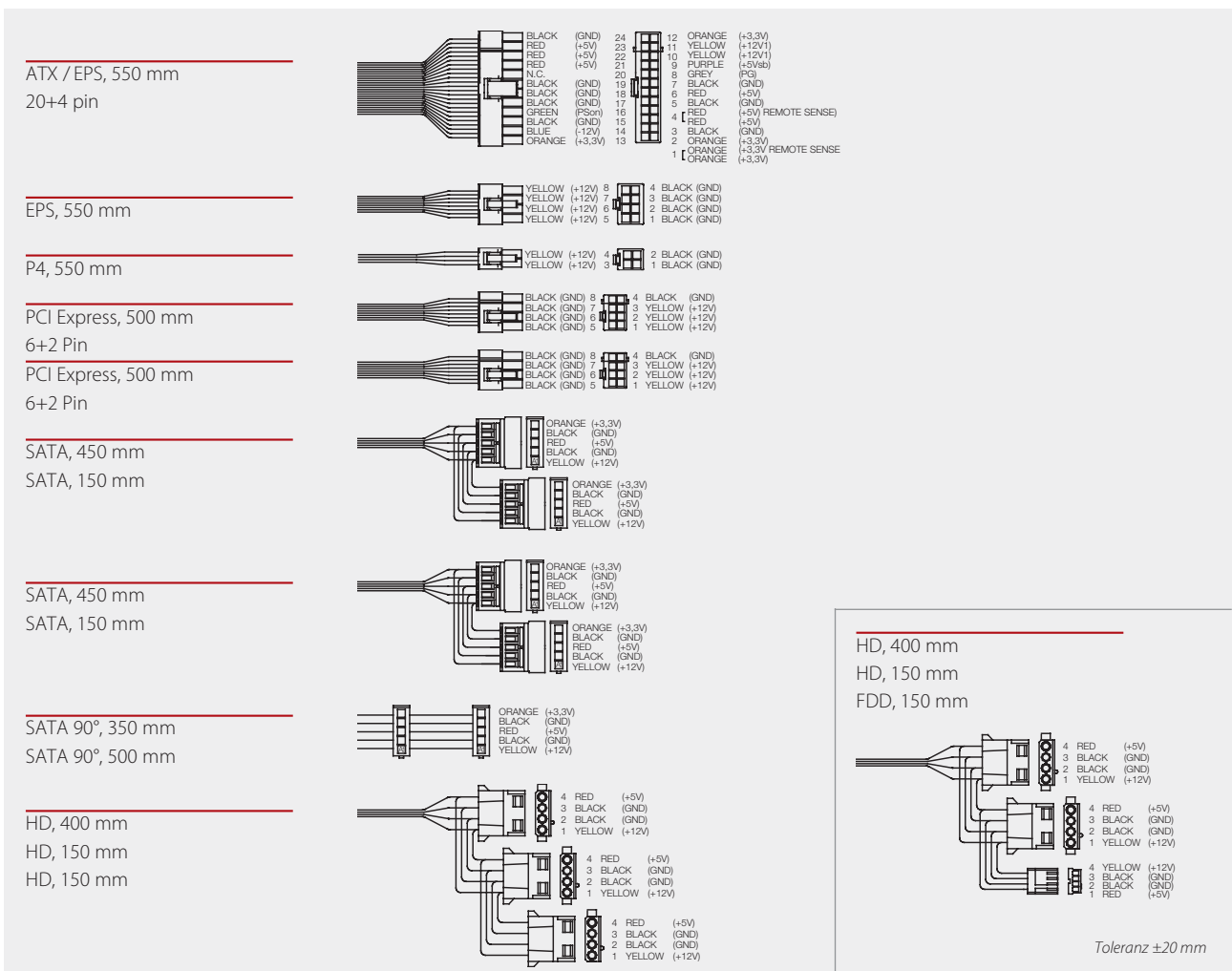
Optional accessory ▷▷▷ For detailed information please visit our website www.bicker.de and refer to the article number.

Article No.	Description
X1-132	Power cord with European IEC-60320-C13 connector

Drawing MPSM-5600V



Cable harness MPSM-5600V



Specification is subject to change without notice. Errors excepted. Status as at: 22.11.2017