

MP1S-6400V-B1

400 Watt

- Additional +24 V DC output
- Ideal for applications with large monitors
- High efficiency of up to 84 %

The MP1S-6400V-B1 is a medically approved 1U ATX PC power supply with an additional +24 VDC output. This allows the direct supply of medical peripherals including the areas of diagnostics, therapy and imaging with +24 VDC. The simultaneous supply of motherboard and peripherals with a single power supply also reduces the total earth leakage current of the medical system.



Additional
+24 VDC
Output



Technical data

Input voltage	90...264 V AC, active PFC
Input frequency	47...63 Hz
Input current	6 A (115 V AC) / 3 A (230 V AC)
Inrush current	70 A (115 V AC / 25°C) / 140 A (230 V AC / 25°C), cold start
Efficiency	84 % (at nominal load and 230 V AC)
Hold up time	>16 ms
Power-Good-Signal	Switch on delay 100...500 ms Switch off delay 1 ms
Protection	Short circuit protection: +3.3 V, +5 V, +12 V, -12 V, +24 V, switch off / +5 V _{sb} , auto recovery Overload protection: 110...160 %, switch off Overvoltage protection: +3.3 V (3.6...4.3 V), +5 V (+5.6...+6.5 V), +12 V (+13.2...+15 V) Overcurrent protection: +3.3 V (11...16 A), +5 V (13.2...19.2 A), +12 V (16...24 A)
Leakage current	<300 µA, 115 V AC / 230 V AC
Safety / EMC	TÜV (IEC/EN60601-1 3rd Edition), UL (UL60601-1), CCC, CE
Temperature	Operating: 0...+40 °C / Storage: -20...+80 °C
Max. operation altitude	3000 m
MTBF	149000 h according to MIL-HDBK-217F at +25 °C with fan
Humidity	Operating: 10...85 % RH, non-condensing / Storage: 10...90 % RH, non-condensing
Dimensions (WxDxH)	81.5 x 250 x 40.3 mm ±0.5 mm
Weight (net)	1.2 kg

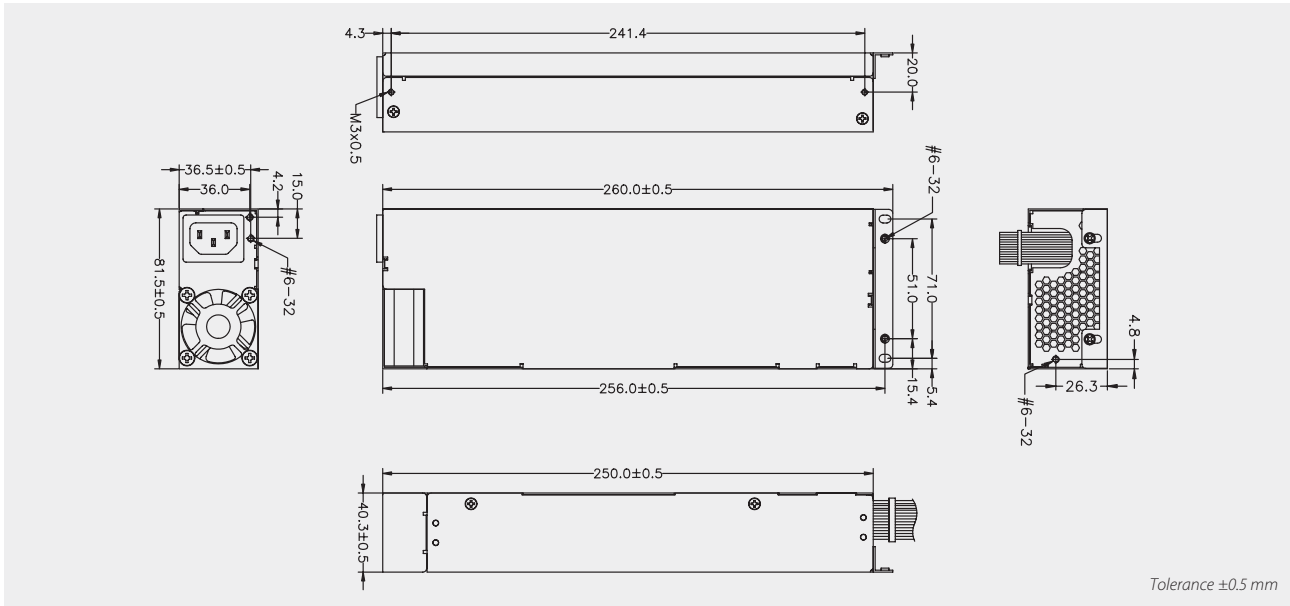
Article No.	Output voltage	Output current		Load regulation	Ripple & Noise
		min	max		
MP1S-6400V-B1	+24 V	0 A	6 A	±5 %	240 mV
	+3.3 V	0 A	10 A	±5 %	60 mV
	+5 V	0 A	12 A	±5 %	60 mV
	+12 V	0 A	16 A	±5 %	120 mV
	-12 V	0 A	0.3 A	±10 %	120 mV
	+5 V _{sb}	0 A	2.5 A	±5 %	60 mV

Max. output power is 400 W. Power at +3.3 V, +5 V, +12 V, -12 V and +5 V_{sb} is max. 260 W, combined at +3.3 V and +5 V it is 90 W. Ripple and Noise was measured by a 20 MHz bandwidth limited oscilloscope with connected 100 µF electrolytic capacitor and 0.1 µF ceramic capacitor at each output.
As a power component this PSU is for assembly purposes only and must not be operated in unassembled condition. The final assembly has to comply with the valid EMC and safety standards.

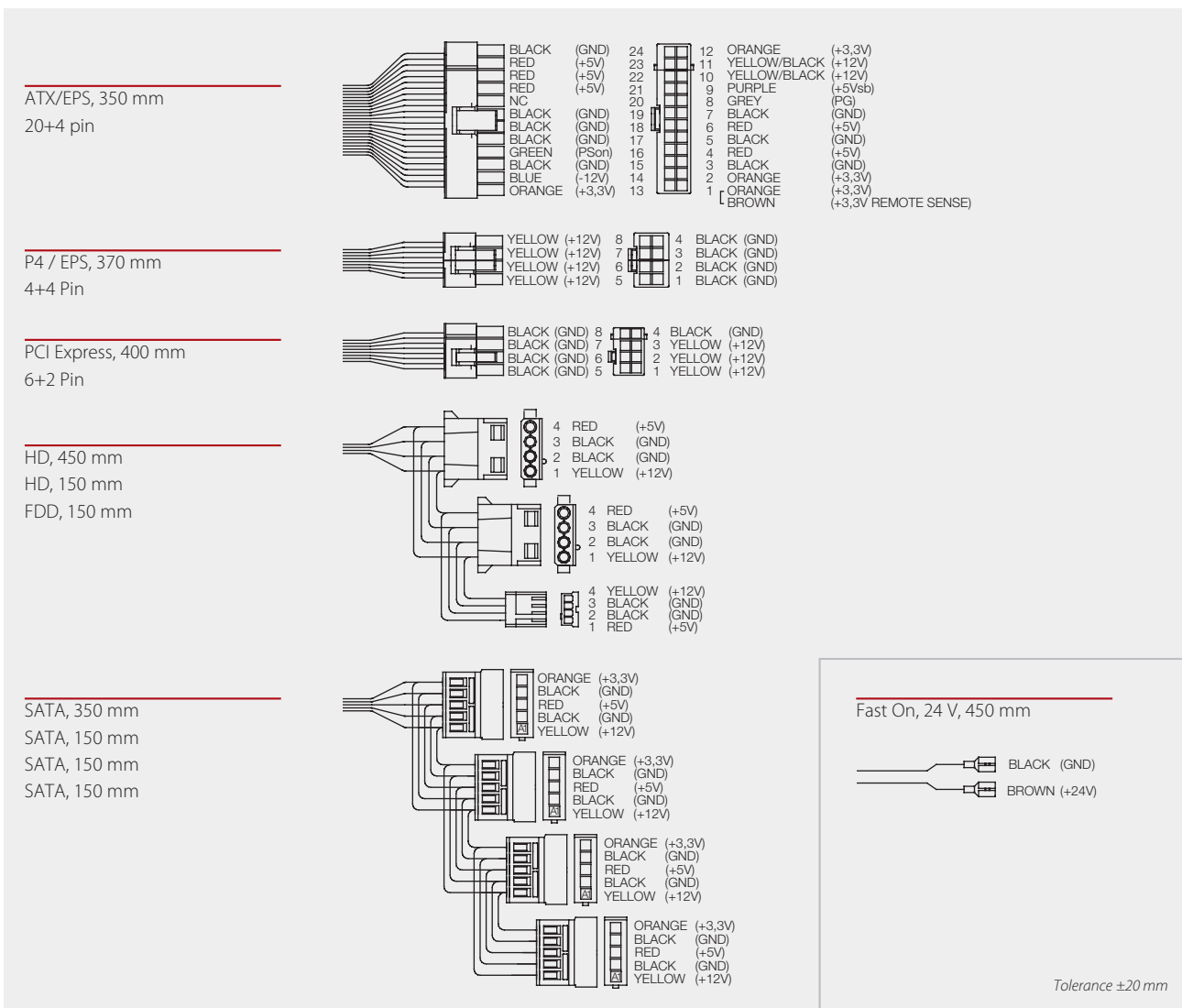
Optional accessory ▷▷▷ For detailed information please visit our website www.bicker.de and refer to the article number.

Article No.	Description
X1-132	Power cord with European IEC-60320-C13 connector

Drawing MP1S-6400V-B1



Cable harness MP1S-6400V-B1



Specification is subject to change without notice. Errors excepted. Status as at: 29.11.2017