

## MHG2-6300P-B2

300 Watt

- Low noise <27 dB(A)!
- Complies with IEC/EN60601-1 – Edition 3.1
- Operating temperature -10...+50 °C

The PC power supply MHG2-6300P-B2 is designed for medical applications and in keeping with the IEC/EN60601-1 and UL60601-1 standards. By its integrated temperature-controlled fan regulation it is quiet and, thus, ideal for medical practices and in surgeries. The MHG2-6300P-B2 provides an external grounding bolt, by which the PC can be kept at the same potential capacity as other components when required.



### Technical data

Input voltage	90...264 V AC, active PFC
Input frequency	47...63 Hz
Input current	7 A (115 V AC) / 3.5 A (230 V AC)
Inrush current	65 A (115 V AC) / 125 A (264 V AC)
Efficiency	≥75 %, 230 V AC / ≥70 %, 115 V AC (full load)
Hold up time	>16 ms
Power-Good-Signal	Switch on delay 100...500 ms Switch off delay 1 ms
Protection	Short circuit protection: At each output, switch off / +5 V <sub>sb</sub> , auto-recovery Overload protection: 110...150 %, switch off Overvoltage protection: +3.3 V (+3.9...+4.3 V), +5 V (+5.7...+6.5 V), +12 V (+13.6...+15 V)
Insulation voltage	Input / Chassis 3100 VDC (1x MOPP) Input / Output 4242 VDC (2x MOPP)
Earth leakage current	<300 µA, 115 V AC / 230 V AC
Safety / EMC	TÜV (IEC/EN60601-1 Edition 3.1), UL (UL60601-1), CE
Temperature	Operating: -10...+50 °C / Storage: -40...+80 °C
Max. operation altitude	3000 m
MTBF	>183000 h according to MIL-HDBK-217F at +25 °C with fan
Humidity	Operating: 10...85 % RH, non-condensing / Storage: 10...90 % RH, non-condensing
Dimensions (WxDxH)	150 x 140 x 86 mm ±0.5 mm
Weight (net)	1.95 kg

### Product specific data

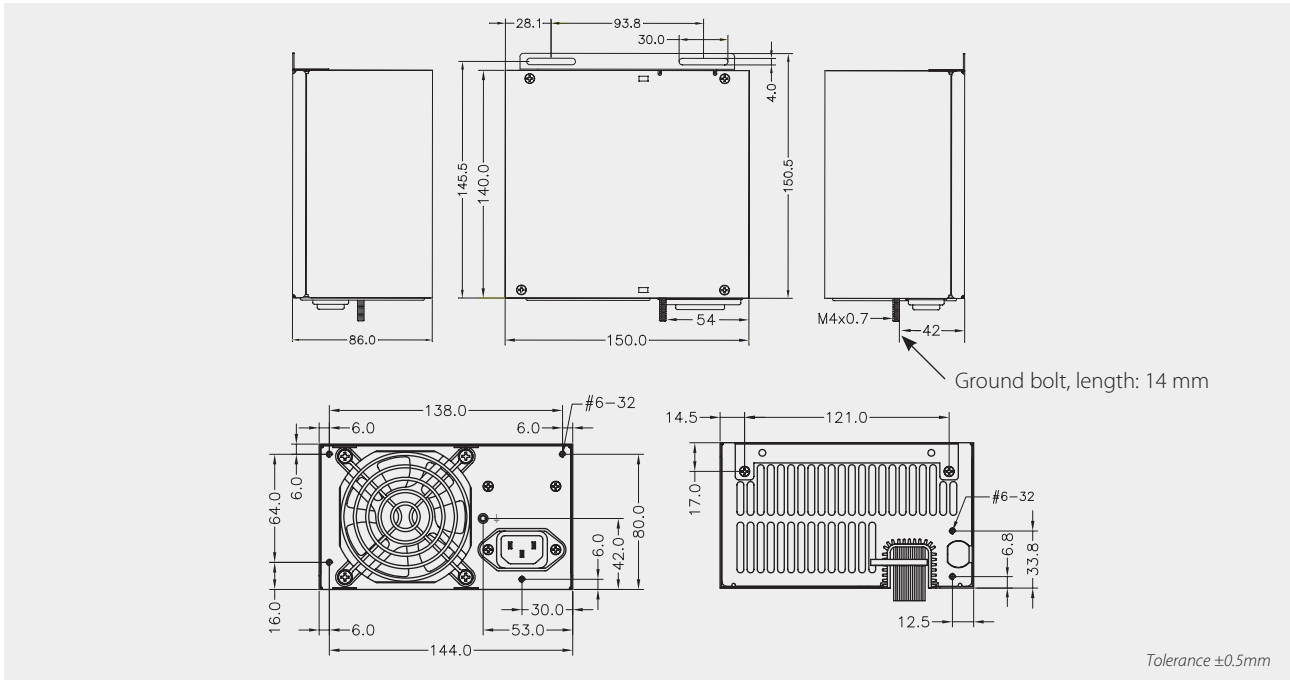
Loudness	0...200 W / 24.2 dB(A), 300 W / 26.5 dB(A)
----------	--

Article No.	Output voltage	Output current		Load regulation	Ripple & Noise
		min	max		
MHG2-6300P-B2	+3.3 V	0 A	28 A	±5 %	50 mV
	+5 V	1 A	35 A	±5 %	50 mV
	+12 V	1 A	22 A	±5 %	120 mV
	-12 V	0 A	0.8 A	±5 %	150 mV
	-5 V	0 A	0.5 A	±5 %	150 mV
	+5 V <sub>sb</sub>	0.1 A	2 A	±5 %	50 mV

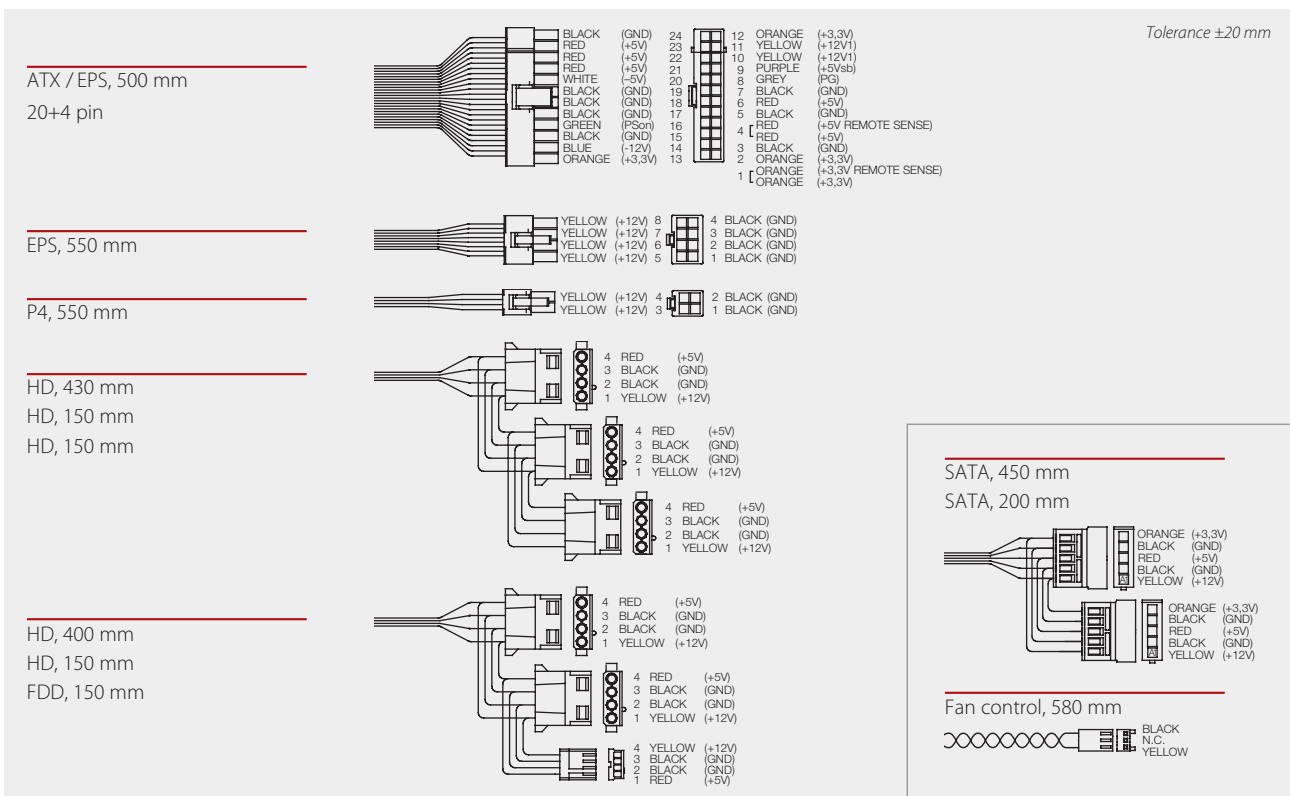
Max. output power is 300 W, combined output current at +3.3 V and +5 V must not exceed 45 A. Ripple and Noise was measured by a 20 MHz bandwidth limited oscilloscope with connected 220 µF electrolytic capacitor and 0.1 µF ceramic capacitor at each output. During a cross regulation test we recommend to keep the channel with higher output load at 80% of its max. power and the channel with lower output load at 20% of its max. power.

As a power component this PSU is for assembly purposes only and must not be operated in unassembled condition. The final assembly has to comply with the valid EMC and safety standards.

## Drawing MHG2-6300P-B2



## Cable harness MHG2-6300P-B2



**Optional accessory** ▷▷▷ For detailed information please visit our website [www.bicker.de](http://www.bicker.de) and refer to the article number.

Article No.	Description
X1-132	Power cord with European IEC-60320-C13 connector