

## BET-1600M

160 Watt

- ✓ Desktop adapter for medical applications
- ✓ High efficiency
- ✓ Compliant with ErP and CEC level V
- ✓ Robust construction
- ✓ High reliability due to quality components like Japanese long life capacitors
- ✓ Certified to latest medical approvals 60601-1
- ✓ Designed according to EN60335-1



Desktop adapter

Technical data	
Input voltage	90...264 V AC
Input frequency	47...63 Hz
Input current	0.9 A max.
Inrush current	100 A max (240 V AC)
Efficiency	89...91 %
Idle consumption	≤0.5 W
Hold up time	>16 ms / 115 V AC
Protection	Overload protection: Switch off with auto recovery Overtemperature protection: Switch off with auto recovery
Insulation voltage	Input/Output 6067 V DC (2x MOPP) Input/FG 2327 V DC (1x MOPP)
Line regulation	≤ ±4 %
Load regulation	≤ ±5 %
Leakage current	<227 µA earth leakage current / <100 µA touch current (264 V AC / 60 Hz)
Safety / EMC	CE, CB, IEC60601-1:2005+A1:2012 (Edition 3.1), EN60601-1:2006+A1:2013 (Edition 3.1), ANSI/AAMI ES60601-1:2005 (3rd Edition)
Temperature	Operating: 0...+60 °C / Storage: -20...+80 °C
Derating	In the range of +40...+60 °C, 2.5 % / °C
Max. operation altitude	3000 m
MTBF	App. 300 000 h according to Telcordia SR-332 at 25 °C
Humidity	Operating: 10...85 % RH, non-condensing / Storage: 10...90 % RH, non-condensing
Dimensions (WxDxH)	81 x 183.2 x 42.3 mm ±0.5 mm
Weight (net)	0.68 kg
Product specific data	
ECO standard	ErP directive 2009/125/EG, CEC level V
Earth conductor	The earth conductor PE (primary) is not connected to -V <sub>out</sub> (secondary)

Article No.	Output voltage	Output current		Ripple & Noise	Efficiency
		min	rated load		
BET-1612M	+12 V	0 A	12.5 A	<120 mVss	88 %
BET-1619M	+19 V	0 A	8.4 A	<190 mVss	89 %
BET-1624M	+24 V	0 A	6.6 A	<240 mVss	91 %
BET-1648M	+48 V	0 A	3.3 A	<480 mVss	91 %

*Ripple and Noise was measured by a 20 MHz bandwidth limited oscilloscope with connected 0.1-µF and 10-µF capacitors at the output. The final assembly has to comply with the valid EMC and safety standards.*

## Optional Accessories

▷▷▷ For detailed information please visit our website [www.bicker.de](http://www.bicker.de) and refer to the article number.

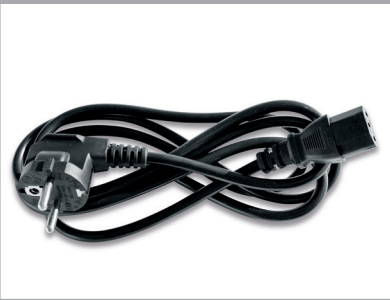
### KP-01 | Cling pad

Cling pad for fast and easy attachment of desktop adapters, 113 x 45 mm, self-adhesive

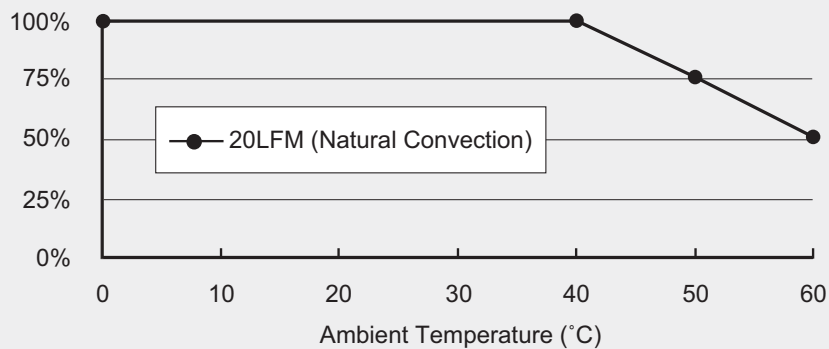


### X1-132 | Power cord

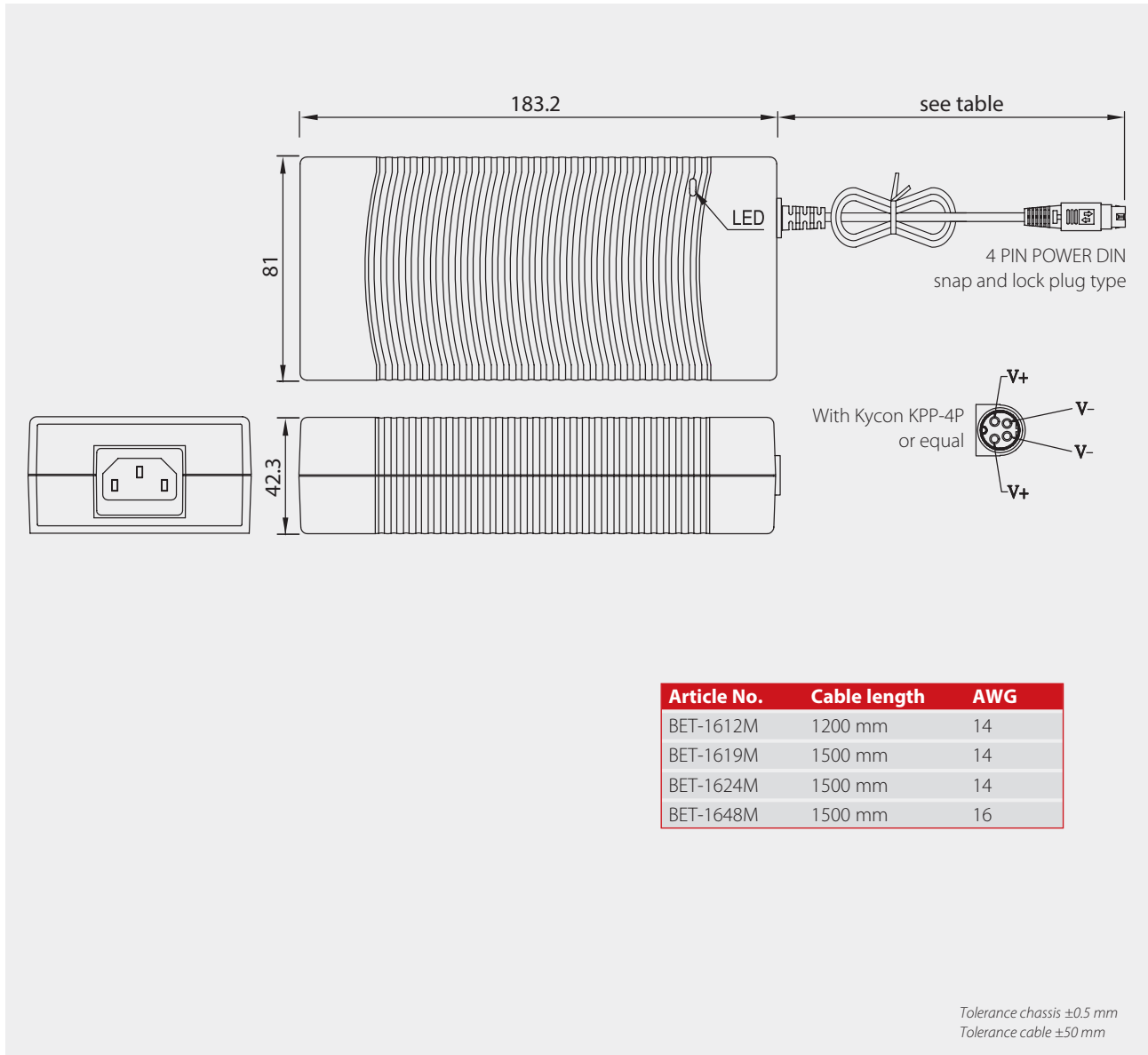
With IEC-60320-C13 connector, length 1800 mm



## Derating



Drawing BET-1600M



Desktop adapter