

BET-1000M

100 Watt

- ✓ Desktop adapter for medical applications
- ✓ Class 2 equipment – without PE
- ✓ Compliant with ErP and CEC level V
- ✓ Robust construction
- ✓ High reliability due to quality components like Japanese long life capacitors
- ✓ Certified to latest medical approvals 60601-1
- ✓ Designed according to EN60335-1



Technical data

Input voltage	90...264 V AC
Input frequency	47...63 Hz
Input current	1.5 A max.
Inrush current	100 A max (240 V AC)
Efficiency	88...89 %
Idle consumption	≤0.5 W
Hold up time	16 ms / 115 VAC
Protection	Short circuit protection: Switch off with auto recovery Overpower protection: 150...170 % of output current Overvoltage protection SELV-Output
Insulation voltage	Input/Output 4675 V AC (2xMOPP)
Line regulation	±1 % at rated load and input voltage change of 100...240 VAC
Load regulation	≤ ±4 %
Leakage current	<100 µA touch current (264 VAC / 63 Hz)
Safety / EMC	CE, CB, IEC60601-1:2005 (3rd Edition), EN60601-1:2006+A1:2013 (Edition 3.1), ANSI/AAMI ES60601-1:2005 (3rd Edition)
Temperature	Operating: -20...+60 °C / Storage: -20...+85 °C
Derating	In the range of +40...+60 °C, 2.5 % / °C
Max. operation altitude	3000 m
MTBF	>165 000 h according to MIL-HDBK-217F at +25 °C
Humidity	Operating: 10...85 % RH, non-condensing / Storage: 10...90 % RH, non-condensing
Dimensions (WxDxH)	58 x 142 x 37 mm ±0.5 mm
Weight (net)	0.485 kg

Product specific data

ECO standard	ErP directive 2009/125/EG, CEC level V
--------------	--

Article No.	Output voltage	Output current		Ripple & Noise	Efficiency
		min	rated load		
BET-1012M	+12 V	0 A	8.3 A	<120 mV _{SS}	88 %
BET-1015M	+15 V	0 A	6.6 A	<150 mV _{SS}	88 %
BET-1019M	+19 V	0 A	5.2 A	<190 mV _{SS}	88 %
BET-1024M	+24 V	0 A	4.1 A	<240 mV _{SS}	89 %
BET-1048M	+48 V	0 A	2.1 A	<480 mV _{SS}	89 %

Ripple and Noise was measured by a 20 MHz bandwidth limited oscilloscope with connected 100 nF and 10 µF capacitors at the output.
The final assembly has to comply with the valid EMC and safety standards.

Optional Accessories

▷▷▷ For detailed information please visit our website www.bicker.de and refer to the article number.

KP-01 | Cling pad

Cling pad for fast and easy attachment of desktop adapters, 113 x 45 mm, self-adhesive



X1-135 | Power cord

With European IEC-60320-C7 connector
Length 1800 mm



PSZ-1008 | Female adapter

DC jack on screw terminal,
DC jack: 2.5 x 5.5 mm, AWG 26-12,
Nominal current 5A max.



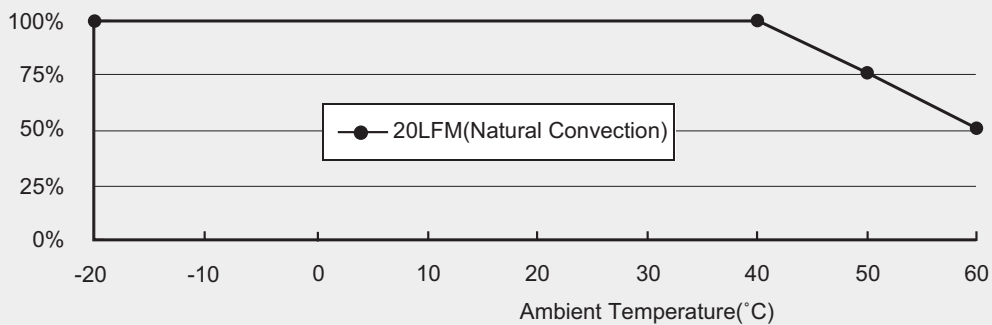
CB-TRG-EXT | DC extension cable

Extension cable for desktop adapters with DC plug and jack

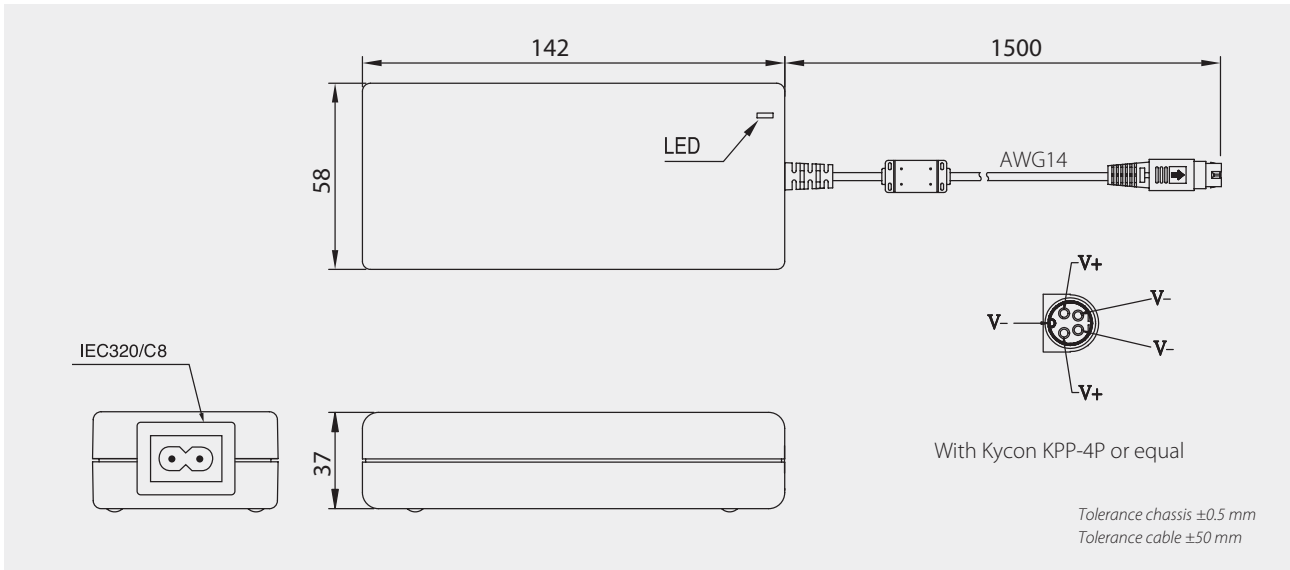


Desktop adapter

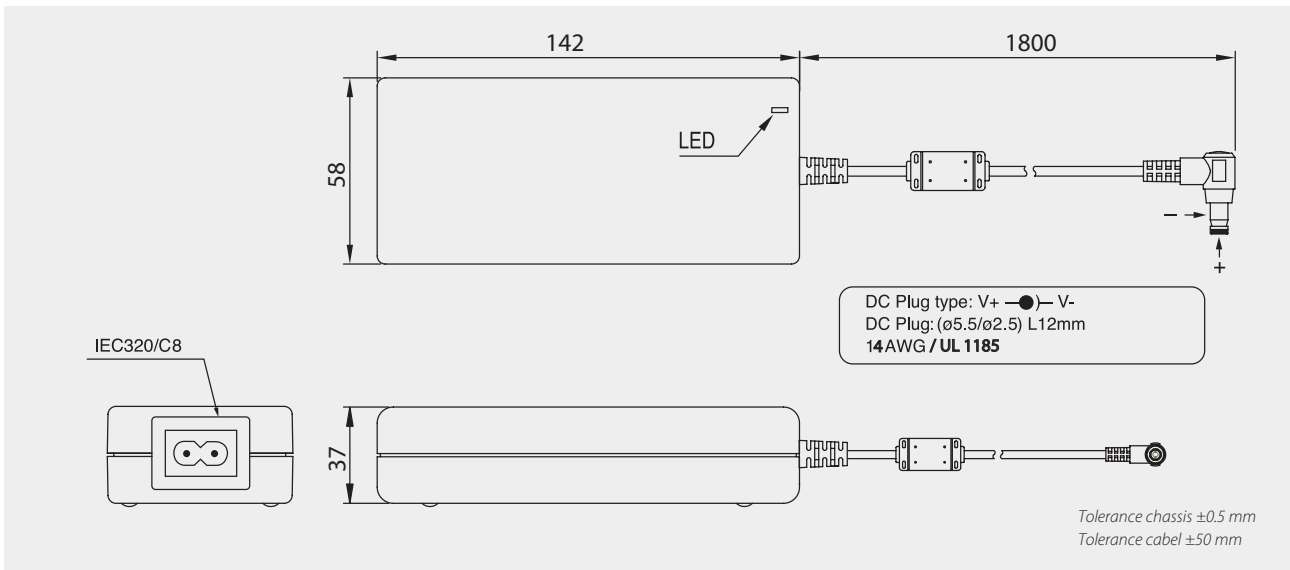
Derating



Drawing BET-1012M and BET-1015M



Drawing BET-1019M and BET-1024M



Desktop adapter

Specification is subject to change without notice. Errors excepted. Status as at: 12.11.2019