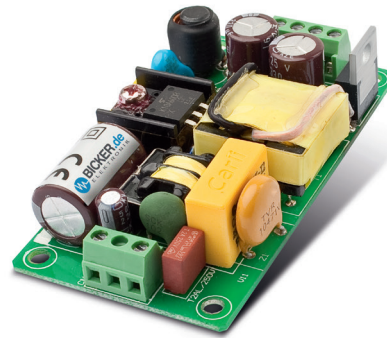


BEO-0200M

20 Watt

- ✓ Tested for industrial and medical applications
- ✓ Very compact design
- ✓ 20 Watt continuous fanless power

The power supply series BEO-0200M characterized by its high efficiency of up to 85 % and a very low standby uptake rate of <0.3 Watt. It delivers its full power of 20 watts up to an ambient temperature of +60 °C without active cooling. Thanks to the high quality of the installed parts and its excellent circuit design, high reliability and long economic life are guaranteed. The BEO-0200M series is tested for medical and industrial applications.



**No update to EN60601-1 Edition 3.1!
For new designs we recommend the BEO-0400M!**

Technical data	
Input voltage	90...264 V AC
Input frequency	47...63 Hz
Input current	Max. 0.5 A (100 VAC) / max. 0.3 A (240 VAC)
Inrush current	<40 A (240 VAC)
Efficiency	80...85 % depending on model
Standby consumption	<0.3 W at 0 A load
Hold up time	App. 10 ms (115 VAC)
Protection	Short circuit protection: Switch off with auto recovery Overvoltage protection: Switch off Overload protection: 130...170 % typ., switch off with auto recovery
Insulation voltage	Input/Output 5656 V DC (2xMOOP)
Insulation resistance	Input/Output and Input/FG 100 MΩ at 500 V DC test voltage
Line regulation	±0.5 % at nominal load and input voltage change from 90 to 264 VAC
Load regulation	±1 % (A1, load step from 100 % to 10 %)
Leakage current	<100 μA (264 VAC / 63 Hz)
Safety / EMC	EN60950-1, UL60950-1, CE, IEC60601-1:2005 (3rd Edition), EN60601-1:2006 (3rd Edition), ANSI/AAMI ES60601-1:2005 (3rd Edition)
Temperature	Operating: -25...+70 °C / Storage: -40...+85 °C
Derating	+60...+70 °C, 5 % / °C
Max. operation altitude	3000 m
MTBF	≥650 000 h according to MIL-HDBK-217F at +25 °C
Humidity	Operating: 10...85 % RH, non-condensing / Storage: 10...90 % RH, non-condensing
Dimension (WxDxH)	40.6 x 76.2 x 19.5 mm ±1 mm
Weight (net)	0.06 kg

Article No.	Output voltage	Output current		Ripple & Noise	Efficiency
		min	max load		
BEO-0205M	+5 V	0 A	4.0 A	<50 mV _{SS}	80 %
BEO-0209M	+9 V	0 A	2.3 A	<90 mV _{SS}	81 %
BEO-0212M	+12 V	0 A	1.7 A	<100 mV _{SS}	83 %
BEO-0215M	+15 V	0 A	1.4 A	<100 mV _{SS}	84 %
BEO-0224M	+24 V	0 A	0.9 A	<100 mV _{SS}	85 %

20W continuous power without fan (0...+60°C). Ripple and Noise was measured by a 20 MHz bandwidth limited oscilloscope with connected 100 nF and 10 μF capacitors at the output. As a power component this PSU is for assembly purposes only and must not be operated in unassembled condition. The final assembly has to comply with the valid EMC and safety standards.

Optional Accessories

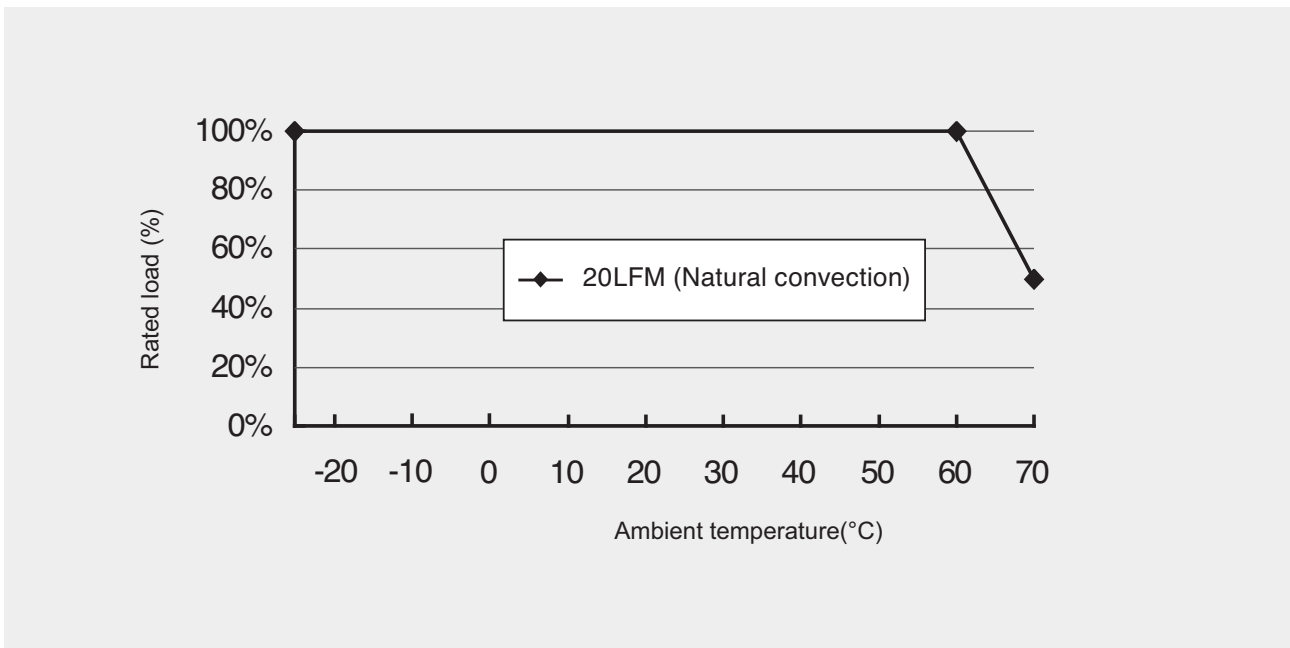
▷▷▷ For detailed information please visit our website www.bicker.de and refer to the article number.

PSZ-1009 | Male adapter

DCplug: 2.5 x 5.5 mm, AWG 26-12

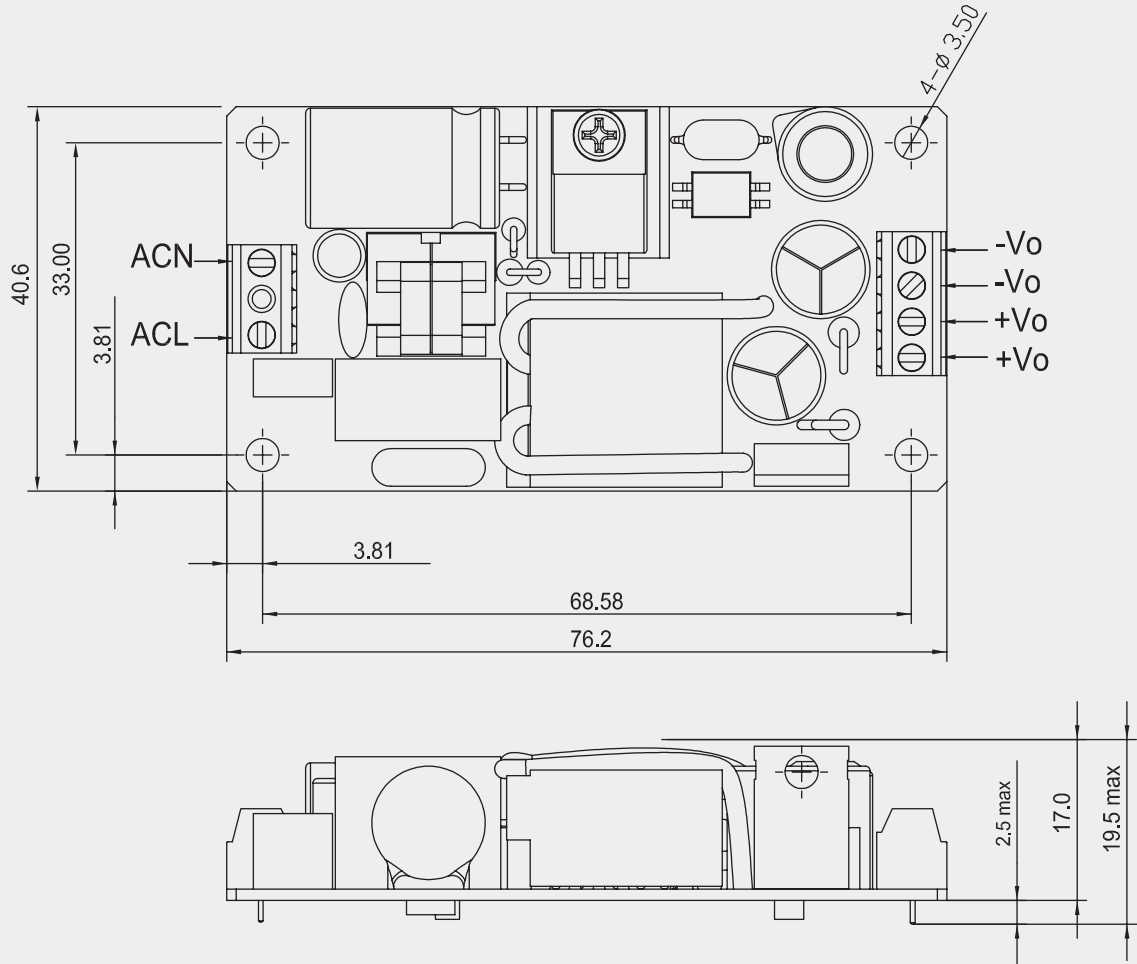


Derating



Power supplies

Drawing BEO-0200M



Max diameter screw terminals: AWG20

Tolerance ± 1 mm

Power supplies

Specification is subject to change without notice. Errors excepted. Status as at: 28.11.2017