

BEH-542C

420 Watt

- ✓ +24 V DC input
- ✓ +3.3 V and +5 V sense line
- ✓ Ball-bearing fan
- ✓ Wide temperature range -20...+70 °C
- ✓ No minimum load required
- ✓ Designed for continuous operation 24/7



DC input

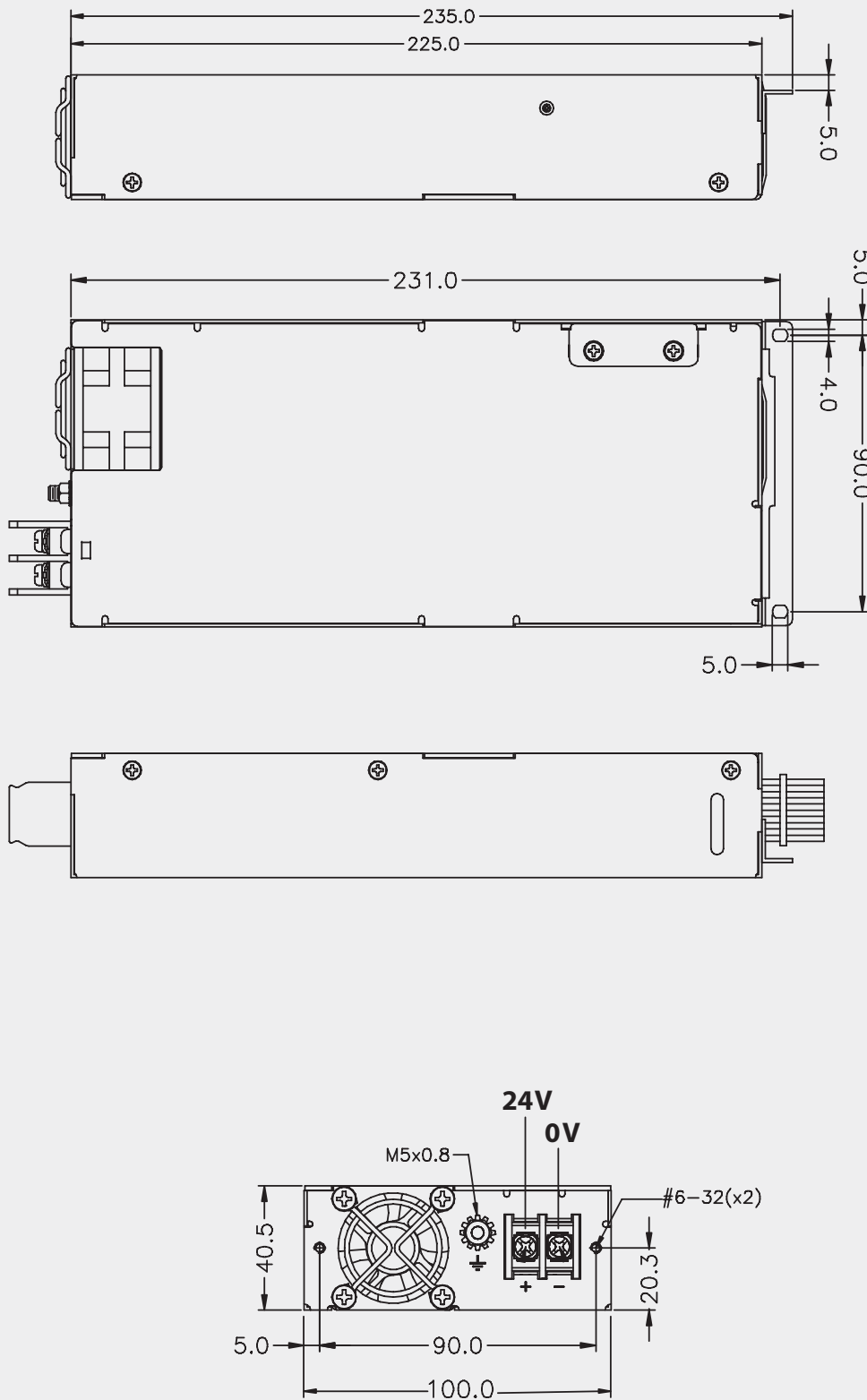
Technical data	
Input voltage	+24 VDC (18...36 V)
Input current	24 A max. (24 VDC), full load
Inrush current	<50 A
Efficiency	≥85 % @ 24 VDC
Hold up time	>1.6 ms @ 24 VDC
Power-Good-Signal	Switch on delay 100...500 ms
Protection	Short circuit protection: +3.3 V, +5 V, +12 V, -12 V switch off / +5 V _{sb} , auto-recovery Overload protection: 110...150 %, switch off Overvoltage protection: +3.3 V (+3.6...+4.3 V), +5 V (+5.6...+6.5 V), +12 V (+13.2...+15.0 V)
Safety / EMC	CE
Insulation voltage	Input / Chassis 1500 VAC Input / Output 1500 VAC
Temperature	Operating: -20...+70 °C / Storage: -20...+80 °C
Derating	+40...+70 °C, 1 % / °C
Max. operation altitude	5000 m
MTBF	>180000 h according to MIL-HDBK-217F at +25 °C without fan
Humidity	Operating: 10...85 % RH, non-condensing / Storage: 10...90 % RH, non-condensing
Dimensions (WxDxH)	100 x 225 x 40.5 mm ±0.5 mm
Weight (net)	1.4 kg

Article No.	Output voltage	Output current		Load regulation	Ripple & Noise
		min	max		
BEH-542C	+3.3 V	0 A	25 A	±5 %	50 mV
	+5 V	0 A	25 A	±5 %	50 mV
	+12 V	0 A	33 A	±5 %	120 mV
	-12 V	0 A	0.8 A	±10 %	120 mV
	+5 V _{sb}	0 A	3 A	±5 %	50 mV

Max. output power is 420 W, combined output current at +3.3 V and +5 V must not exceed 170 W. Ripple and Noise was measured by a 20 MHz bandwidth limited oscilloscope with connected 220 µF tantalum capacitor and 0.1 µF ceramic capacitor at each output. All measurements were taken at +21 °C ambient temperature. Data can differ while starting when ambient temperature below 0 °C. For keeping the conducted interference according to EN55032 (in case of connection to a low voltage mains supply) an additional input filter may be required.

As a power component this PSU is for assembly purposes only and must not be operated in unassembled condition. The final assembly has to comply with the valid EMC and safety standards.

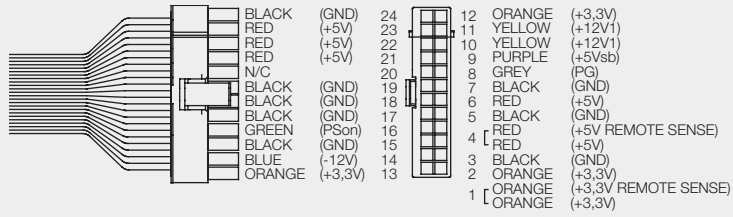
Drawing BEH-542C



Tolerance ± 0.5 mm

Cable harness BEH-542C

ATX / EPS, 500 mm
P24



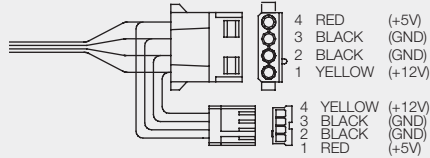
P4 / EPS, 500 mm
4+4 Pin



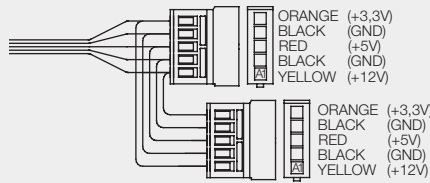
PCI Express, 510 mm
6+2 Pin



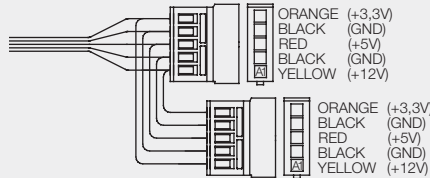
HD, 400 mm
FDD, 150 mm



SATA, 400 mm
SATA, 150 mm



SATA, 400 mm
SATA, 150 mm



Tolerance ±20 mm