

## BED-20R

20 A

- DIN Rail redundancy module
- Very robust and corrosion resistant aluminium housing (IP20 compliant)
- Conformal protective coating
- Extended temperature range -40...80 °C

The redundancy module BED-20R is designed to increase the reliability in control cabinet applications to a maximum. With the BED-20R it is possible to operate two BED PSUs in parallel mode. The module is built very robust and equipped with high quality components. The wide input voltage range of 22...28 V<sub>DC</sub> and the extended temperature range completes the excellent profile.



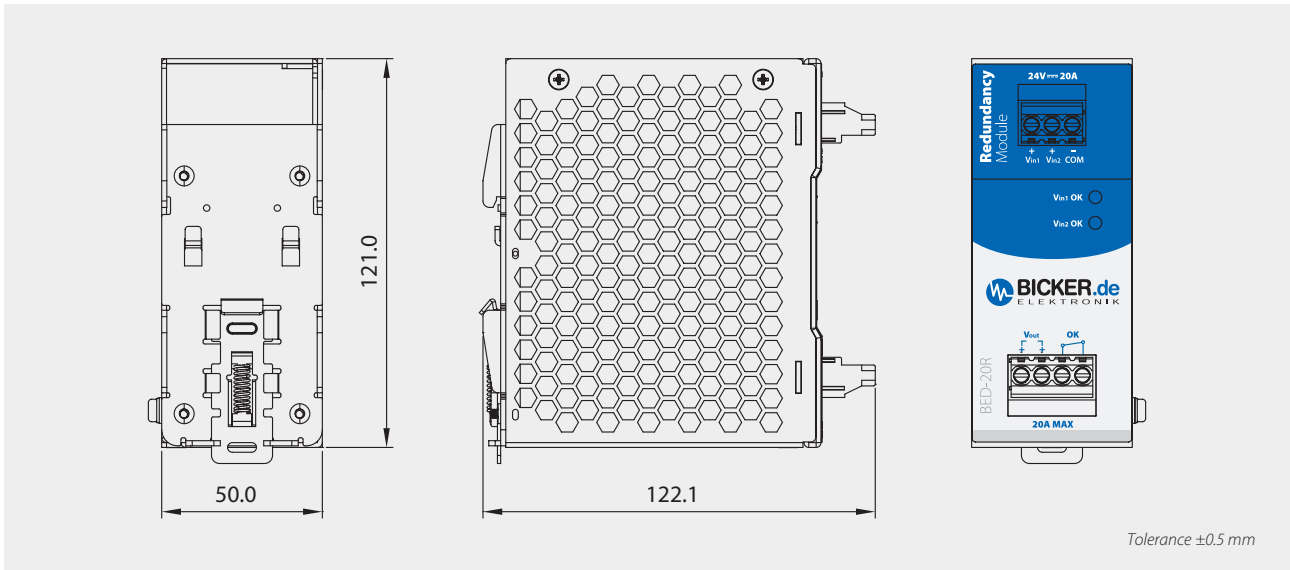
DIN Rail PSU

Technical data	
Input voltage	22...28VDC (24VDC nominal)
Input current	Max. 20A
LEDs (Input voltage OK)	LED ON: Vin1/Vin2 17.1 V...30V and difference between Vin1/Vin2 ≤ 6 V
Relay contact (Input voltage OK)	RELAY CLOSED: Vin1/Vin2 17.1 V...30V and difference between Vin1/Vin2 ≤ 6 V
Output voltage	Vin - 0.65VDC (typ)
Output current	20A max.
Protection	Overload protection: max. 25A, Hicc-up-Mode (autorecovery after fault correction)
Insulation voltage	Input/FG: 1500 VAC, Output/FG: 1500VAC
Safety	Designed according to UL508, CE Designed according to EMC Directive 2004/108/EC and Low Voltage Directive 2006/95/EC
EMC	EN61000-6-2 CE (EMC and Low Voltage Directive) EN61000-4-2 Level 4 EN61000-4-3 Level 3 EN61000-4-8 Level 3
Explosion protection ATEX	Designed according to EN60079-0:2009, EN60079-15:2010 (II 3G Ex nA nC IIC T4 Gc)
Explosion protection HazLoc	Designed according to CSA C22.2 No.213-M1987 Designed according to ANSI / ISA 12.12.01:2007 (Class I, Division 2, Group A, B, C, D, T4)
Temperature	Operating: -40...+80 °C / Storage: -40...+85 °C
Derating	>50 °C: 2.5 % / °C
MTBF	>800 000 h according to Bellcore STD or IEC 61709
Humidity	Operating: 10...85 % RH, non-condensing / Storage: 10...90 % RH, non-condensing
Vibration test (non-operating)	Designed according to IEC60068-2-6, 10...500 Hz at 30 m/s <sup>2</sup> (max. 3G); 60 min per axis (X, Y, Z)
Shock test (non-operating)	Designed according to IEC60068-2-27, 30G (300m/s <sup>2</sup> ) for duration 18ms
Pollution degree	2 according to EN50178
Climatic class	3K3 according to EN60721
Protection class	Class III with PE Connection
Housing	Aluminium (AL1100F)
Protection degree	IP20
Dimensions (WxDxH)	50 x 122.1 x 121 mm
Weight (net)	0.4 kg

Article No.	Input Voltage	Output Voltage	Output Current (max)	Efficiency (typ)
BED-20R	22...28 V <sub>DC</sub>	Vin - 0.65 V <sub>DC</sub>	20 A	> 97 %

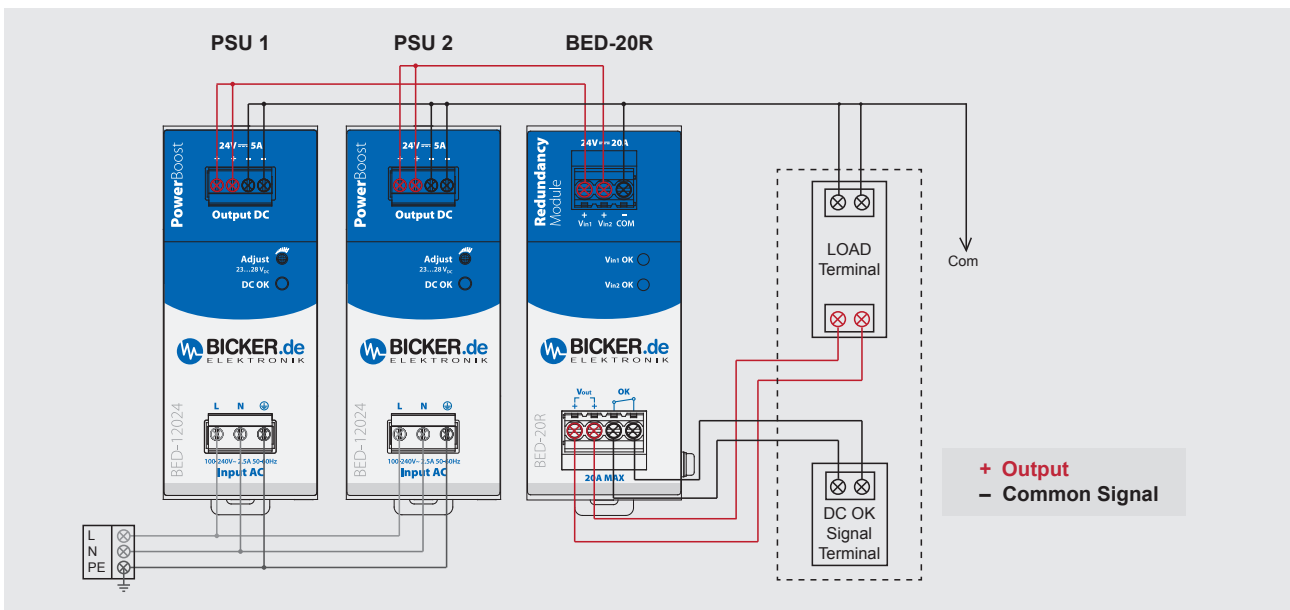
All data was measured at +25 °C, operating humidity <75 %, nominal input voltage. The final assembly has to comply with the valid EMC and safety standards. As a power component this PSU is for assembly purposes only and must not be operated in unassembled condition.

### Drawing BED-20R



DIN Rail PSU

### Typical application diagram BED-20R



Specification is subject to change without notice. Errors excepted. Status as at: 30.12.2020

### Derating BED-20R

