

BEA-646

460 Watt

- High-quality electrolytic capacitors (+105 °C)
- Ball-bearing fan with tacho signal
- Designed for continuous operation 24/7

The 460 W PC power supply BEA-646 is distinguished by robustness and long service life. High quality components guarantee a high reliability. It's designed for continuous operation (24/7). The regulated ball-bearing fan provides a tacho signal and can continuously be monitored by the board, which is very important with regard to system reliability.



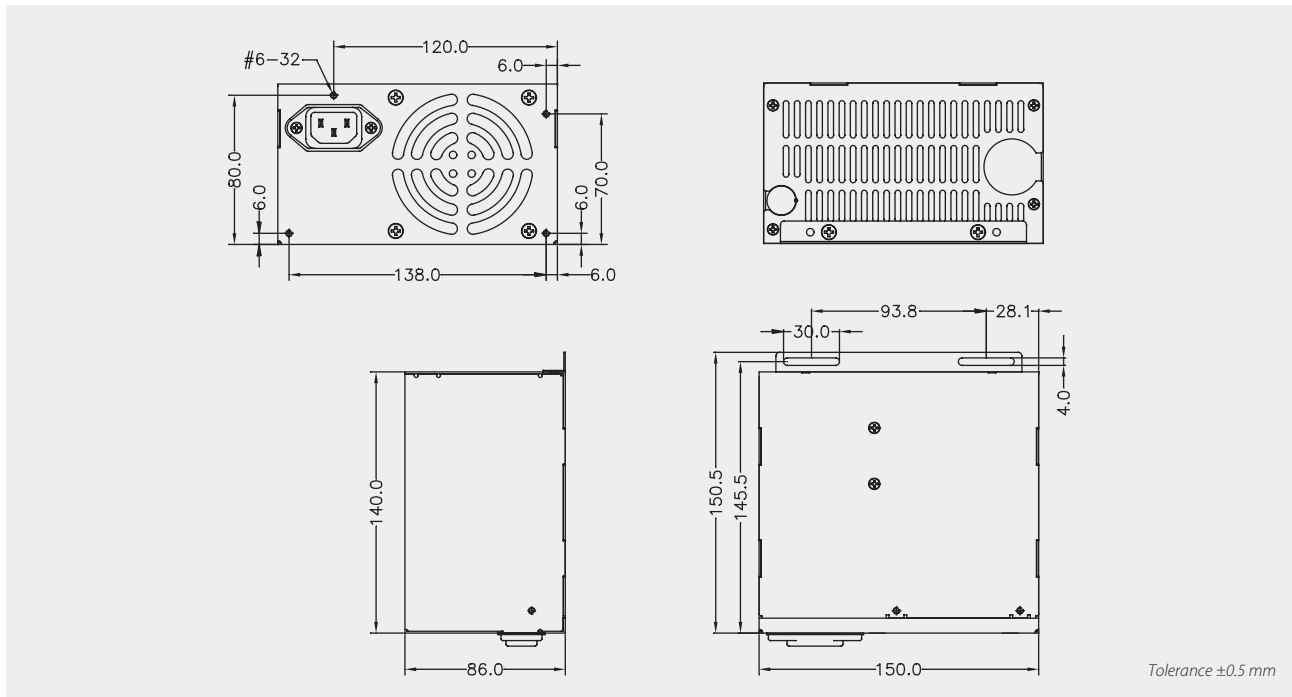
Technical data

Input voltage	90...264 V AC, active PFC
Input frequency	47...63 Hz
Input current	7.5 A (115 VAC) / 3.5 A (230 VAC)
Inrush current	65 (115 VAC) / 125 A (220 VAC)
Efficiency	>70 %, 115 / 230 VAC (full load)
Hold up time	>16 ms
Power-Good-Signal	Switch on delay 100...500 ms Switch off delay 1 ms
Protection	Short circuit protection: At each output, switch off / +5 V _{sb} , auto-recovery Overload protection: 110...150 %, switch off Overvoltage protection: +3.3 V (+3.9...+4.3 V), +5 V (+5.7...+6.5 V), +12 V (+13.6...+15 V)
Isolation voltage	Input / Chassis 3000 VAC Input / Output 2060 VAC
Earth leakage current	<3.5 mA, 250 VAC
Safety / EMC	TÜV, UL, CE
Temperature	Operating: 0...+55 °C / Storage: -20...+80 °C
Derating	From 90...100 VAC to 435 W at +40 °C and 410 W at +50 °C Current at +3.3 V: from +30...45 °C, 0.4 A / °C
MTBF	98000 h according to MIL-HDBK-217F at +25 °C with fan
Humidity	Operating: 10...85 % RH, non-condensing / Storage: 10...90 % RH, non-condensing
Dimensions (WxDxH)	150 x 140 x 86 mm ±0.5 mm
Weight (net)	1.95 kg

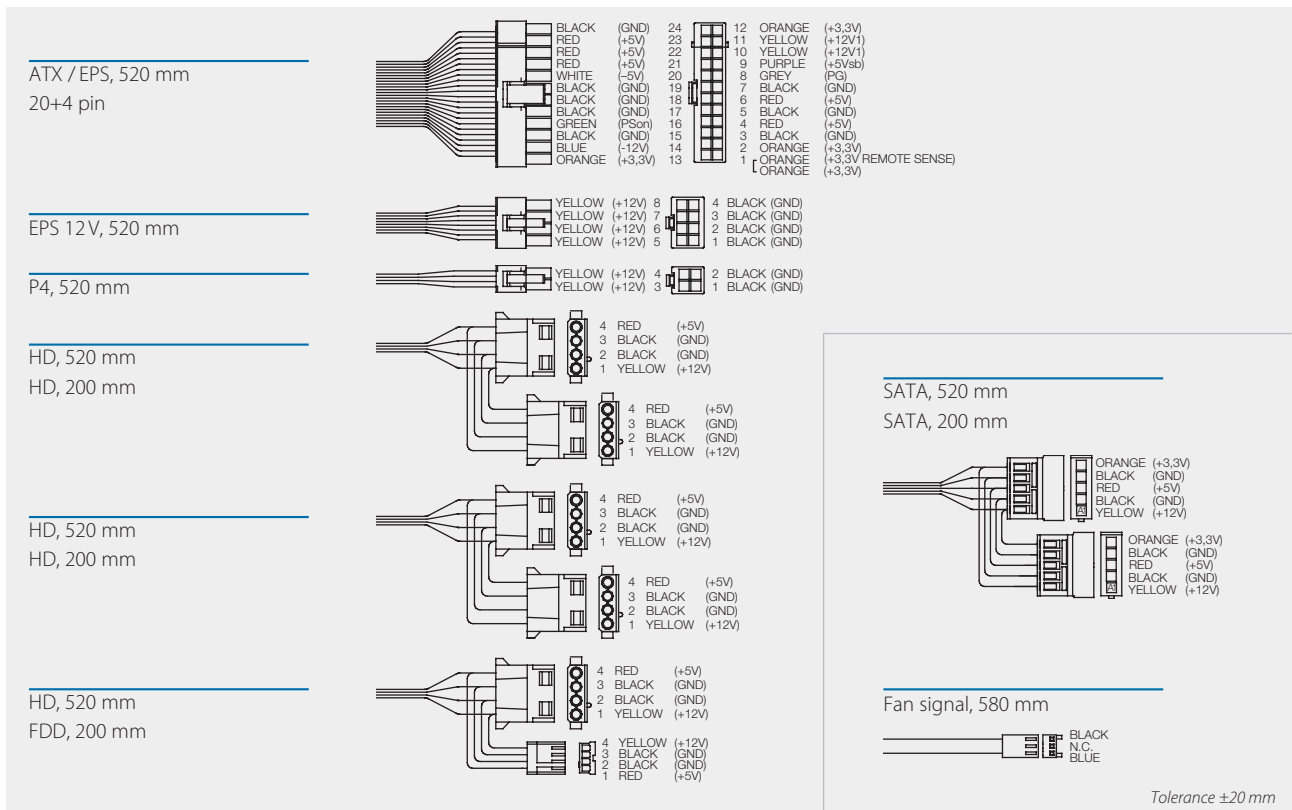
Article No.	Output voltage	Output current		Load regulation	Ripple & Noise
		min	max		
BEA-646	+3.3 V	0.5 A	30 A	±5 %	60 mV
	+5 V	1.5 A	40 A	±5 %	60 mV
	+12 V	1 A	32 A	±5 %	100 mV
	-12 V	0 A	1 A	±5 %	100 mV
	-5 V	0 A	0.8 A	±5 %	100 mV
	+5 V _{sb}	0 A	2 A	±5 %	60 mV

During a cross regulation test we recommend to keep the channel with higher output load at 90 % of its max. power and the channel with lower output load at 20 % of its max. power. Ripple and Noise was measured by a 20 MHz bandwidth limited oscilloscope with connected 220 µF electrolytic capacitor and 0.1 µF ceramic capacitor at each output. As a power component this PSU is for assembly purposes only and must not be operated in unassembled condition. The final assembly has to comply with the valid EMC and safety standards.

Drawing BEA-646



Cable harness BEA-646



Specification is subject to change without notice. Errors excepted. Status as at: 15.12.2017

Optional accessory ▷▷▷ For detailed information please visit our website www.bicker.de and refer to the article number.

Article No.	Description
X1-132	Power cord with European IEC-60320-C13 connector