

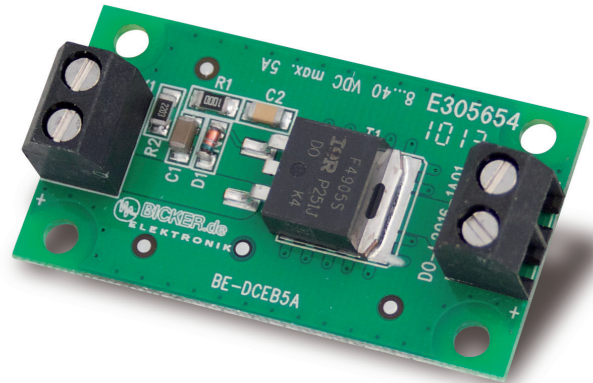
BE-DCEB5A

Inrush current limiter

- ✓ Input voltage: 8...40 VDC
- ✓ Inrush current limited to app. 13 A
- ✓ Max. load current: 5 A
- ✓ For use with a capacitive load

Technical data

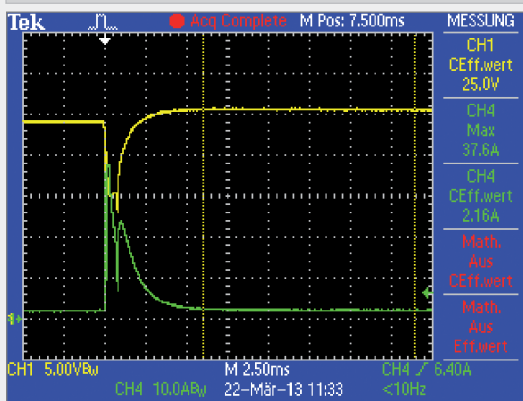
Input voltage	8...40 VDC
Inrush current limited to	Approx. 13 A
Max. load current	5 A
Rise time at nominal current	10...50 ms max., typ. 13 ms at 24V
On resistance	Max. 50 mΩ, typ. 20 mΩ at 24 A
Dissipation loss	Max. 1 W at 5 A, typ. 500 mW at 24V/5 A
Connection	Screw terminals
Dimensions	48 x 26 x 13 mm



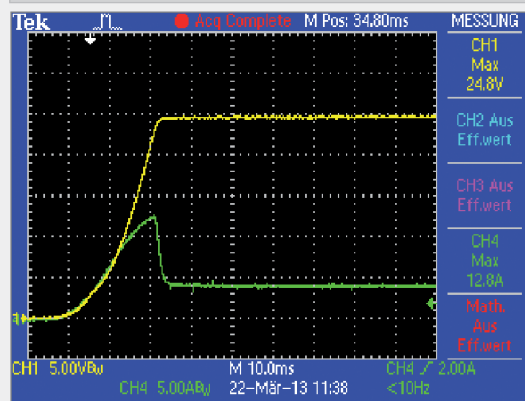
Note: Inrush current is just limited during start-up!

Beispiel / Example

WITHOUT inrush current limiter

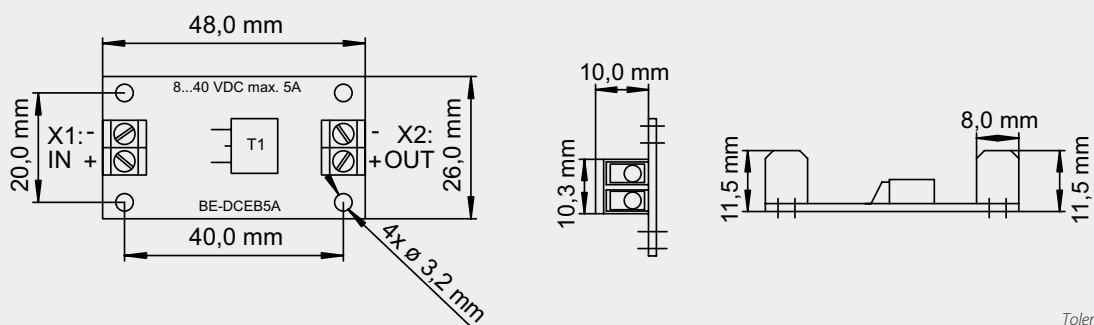


WITH inrush current limiter



The measurement was conducted using a 4700 µF electrolytic capacitor at 4 A capacitive load.

Drawing



Tolerance: ±0.5 mm

Application note for use with switch

When a switch is needed, follow picture 1!

