

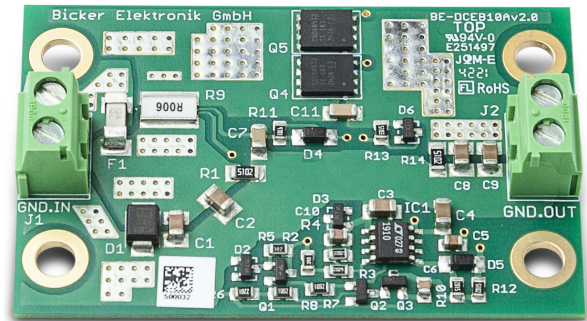
# BE-DCEB10A

## Inrush current limiter

- ✓ Input voltage: 10...30 VDC
- ✓ Inrush current limited to app. 12 A
- ✓ Max. load current: 10 A
- ✓ For use with capacitive load

### Technical data

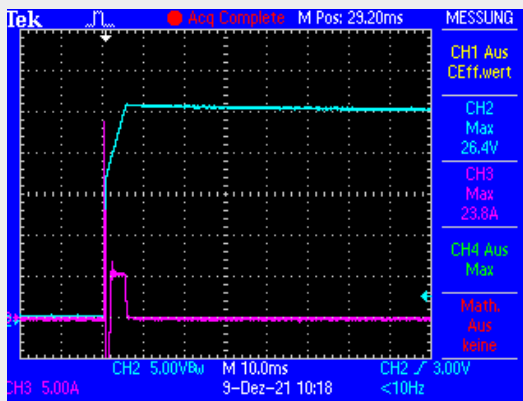
Input voltage	10...30 VDC
Inrush current limited to	Approx. 12 A
Max. load current	10 A
Rise time at nominal current	70 ms max.
On resistance	25mΩ at 10 A
Dissipation loss	2.5 W max.
Connection	Screw terminals
Dimensions	63.9 x 40.3 x 13 mm



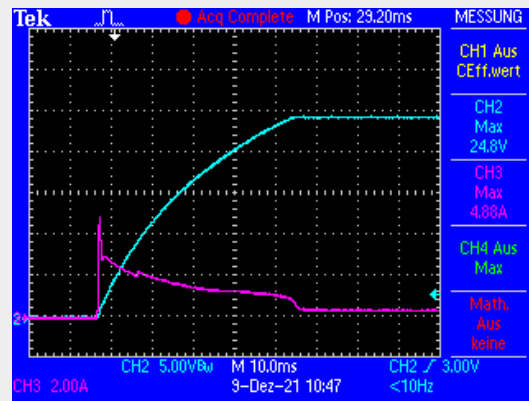
**Note:** Inrush current is just limited during start-up!

## Example

### WITHOUT inrush current limiter

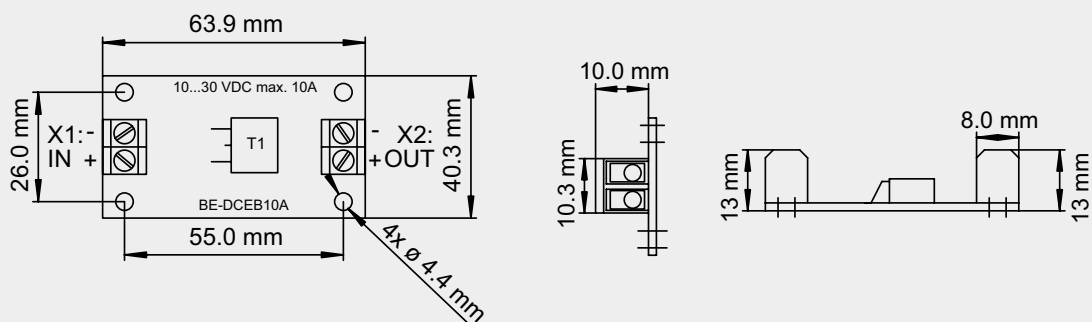


### WITH inrush current limiter



The measurement was conducted using a 3000 µF electrolytic capacitor at 0 A capacitive load.

## Drawing



Tolerance: ±0.5 mm

## Application note for use with switch

When a switch is needed, follow picture 1!

