

# R1S2-5300V4H

300 Watt



- Silent due to regulated fan
- 2 power inputs
- Efficiency up to 84 %

The 1+1-redundant R1S2-5300V4H is designed for 19" rack server as well as storage and network systems. If one plug-in power supply fails, the remaining unit takes over the full load without interruption. The defect plug-in unit can be exchanged during operation of the system and thus guarantees an extremely high availability. Due to the separate power inputs supply from separate power networks is also possible (UPS).



## Technical data

Input voltage	90...264 V AC, active PFC
Input frequency	47...63 Hz
Input current	7 A (115 VAC) / 3 A (230 VAC)
Inrush current	60 A (115 VAC) / 80 A (230 VAC)
Efficiency	Up to 84 %
Hold up time	16 ms
Power-Good-Signal	Switch on delay 100...500 ms
Protection	Short circuit protection: At each output Overvoltage protection: +3.3 V (+3.6...+4.3 V) / +5 V (+5.5...+6.7 V) / +12 V (+13...+15 V) Overload protection: 110...160 %
Earth leakage current	<3.5 mA at 250 VAC
Safety / EMC	UL / CB / CE
Operating temperature	0...+50 °C
Derating	In the range of +40...+50 °C, 1 %/°C
MTBF	196 000 h (270 W) at +50 °C without fan according to MIL-HDBK-217F
Storage temperature	-20...+80 °C
Operating humidity	20...80 % RH, non-condensing
Dimensions (WxDxH)	176 x 230 x 41.8 mm ±0.5 mm
Weight (net)	3.5 kg

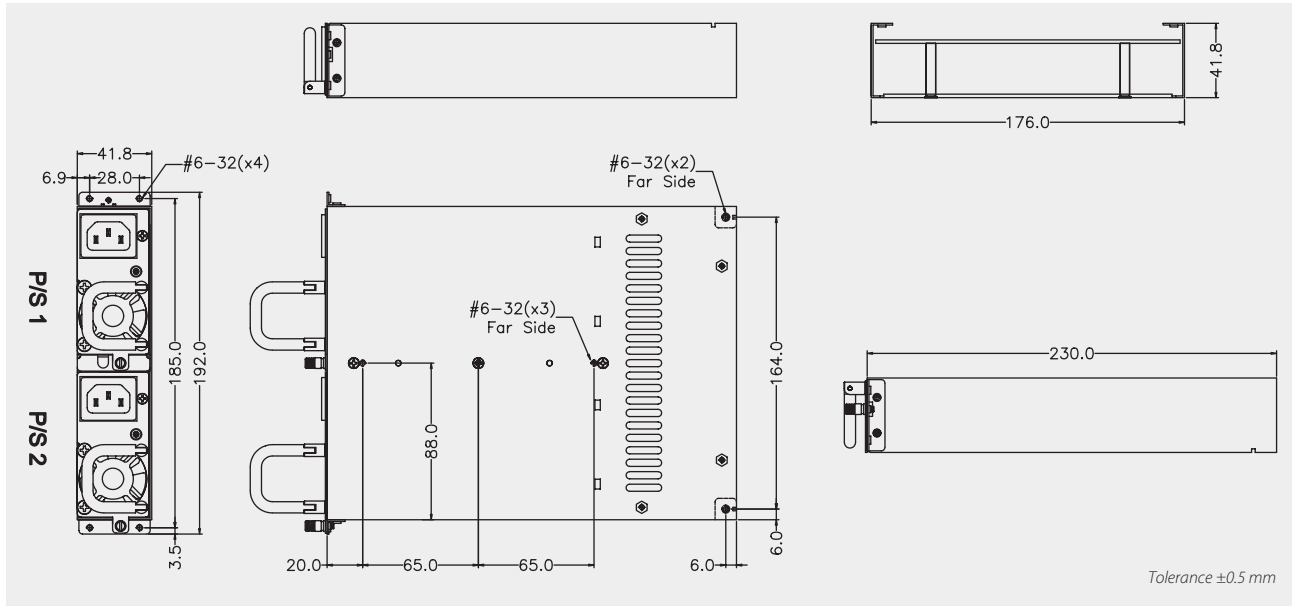
## Product specific data

Alarm functions	1. TTL signal, 2. Failure LED, 3. Reset for acousitc alarm
-----------------	--

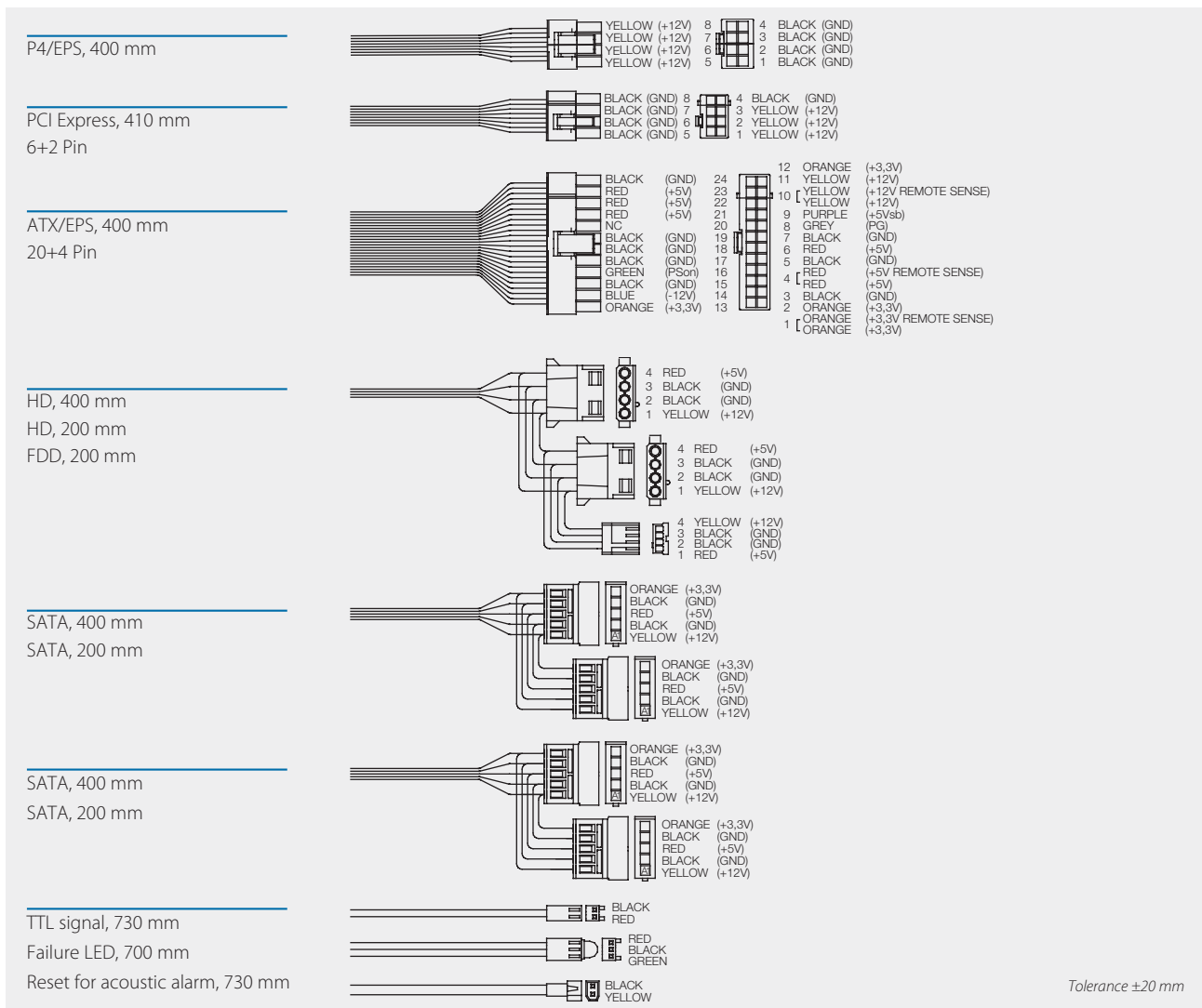
Article No.	Output voltage	Output current		Load regulation	Ripple & Noise
		min	max		
R1S2-5300V4H	+3.3 V	0.5 A	20 A	±5 %	±50 mV
	+5 V	0.5 A	20 A	±5 %	±50 mV
	+12 V	2 A	24 A	±5 %	±120 mV
	-12 V	0.1 A	0.5 A	±10 %	±120 mV
	+5 V <sub>sb</sub>	0.1 A	2.5 A	±5 %	±50 mV

Max. output power must not exceed 300 W, combined output at +3.3 V and +5 V must not exceed 140 W. From a load of +3.3 V / 0 A and +5 V / 0 A onwards a minimal load of 4 A must be connected at +12 V. Ripple and Noise was measured by a 20 MHz bandwidth limited oscilloscope with connected 100 µF electrolytic capacitor and 100 nF ceramic capacitor at each output. As a power component this PSU is for assembly purposes only and must not be operated in unassembled condition. The final assembly has to comply with the valid EMC and safety standards.

## Drawing R1S2-5300V4H



## Cable harness R1S2-5300V4H



Specification is subject to change without notice. Errors excepted. Status as at: 09.12.2011