

P1H-5500V

500 Watt



- Efficiency up to 86 %
- Silent due to regulated fan
- TÜV approved up to +50 °C

Due to its high efficiency and the temperature-controlled fan the noise development of the P1H-5500V is only minimal. Its robust construction guarantees a long service life under industrial operating conditions. All equipped components are of high quality and designed for an operating temperature of +50 °C. The regulation properties of the P1H-5500V are very good. A special cable harness is optionally available for the P1H-5500V.



AC input

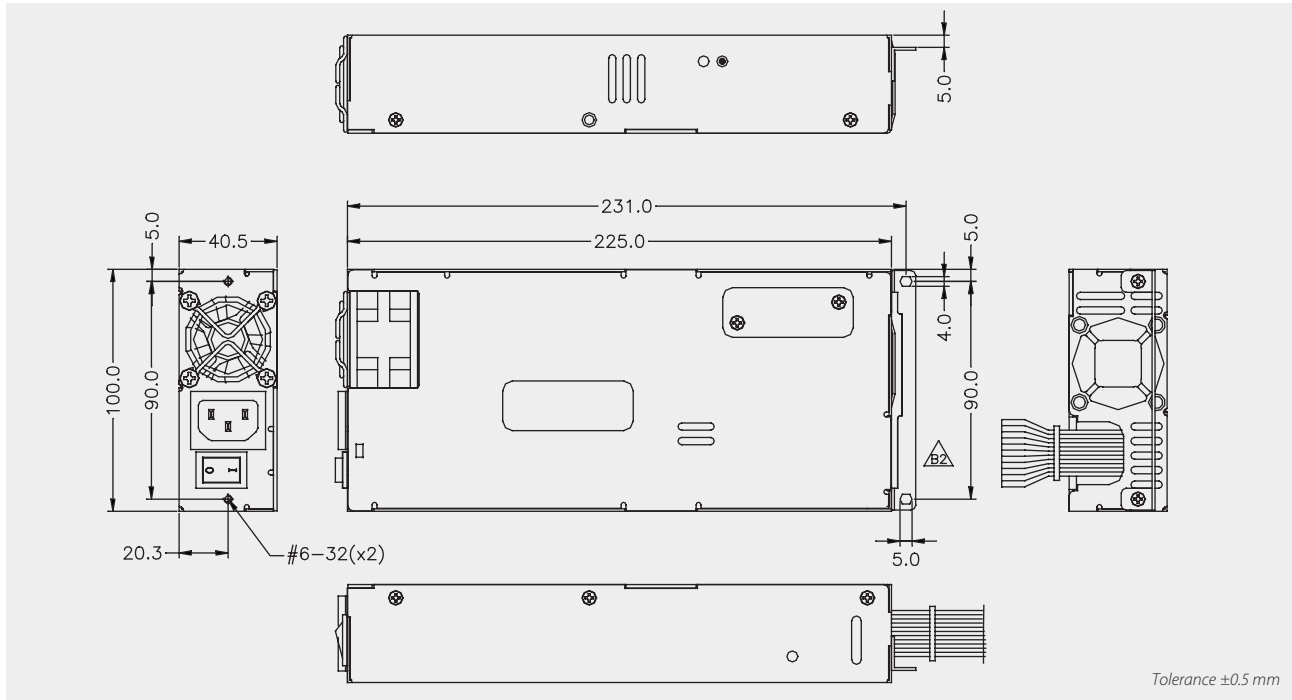
Technical data	
Input voltage	90...264 V AC, active PFC
Input frequency	47...63 Hz
Input current	8 A (115 V AC) / 4 A (230 V AC)
Inrush current	40 A (115 V AC) / 60 A (230 V AC)
Efficiency	82...86 %
Hold up time	>16 ms
Power-Good-Signal	Switch on delay 100...500 ms Switch off delay 1 ms
Protection	Short circuit protection: +3.3 V, +5 V, +12 V, switch off / -12 V, +5 V _{sb} , auto recovery Overload protection: 110...160 %, switch off Overvoltage protection: +3.3 V (+3.6...+4.3 V), +5 V (+5.6...+6.5 V), +12 V (+13.2...+15 V)
Earth leakage current	<3.5 mA, 115 V AC / 230 V AC
Safety / EMC	TÜV, UL, CB, CE
Operating temperature	0...+50 °C
Storage temperature	-20...+80 °C
Operating humidity	20...80 % RH, non-condensing
Dimensions (WxDxH)	100 x 225 x 40.5 mm ±0.5 mm
Weight (net)	1.65 kg

Article No.	Output voltage	Output current		Load regulation	Ripple & noise
		min	max		
P1H-5500V	+3.3 V	0.5 A	25 A	±5 %	60 mV
	+5 V	0.5 A	25 A	±5 %	60 mV
	+12 V	2 A	40 A	±5 %	120 mV
	-12 V	0 A	0.8 A	±10 %	120 mV
	+5 V _{sb}	0.1 A	3.5 A	±5 %	60 mV

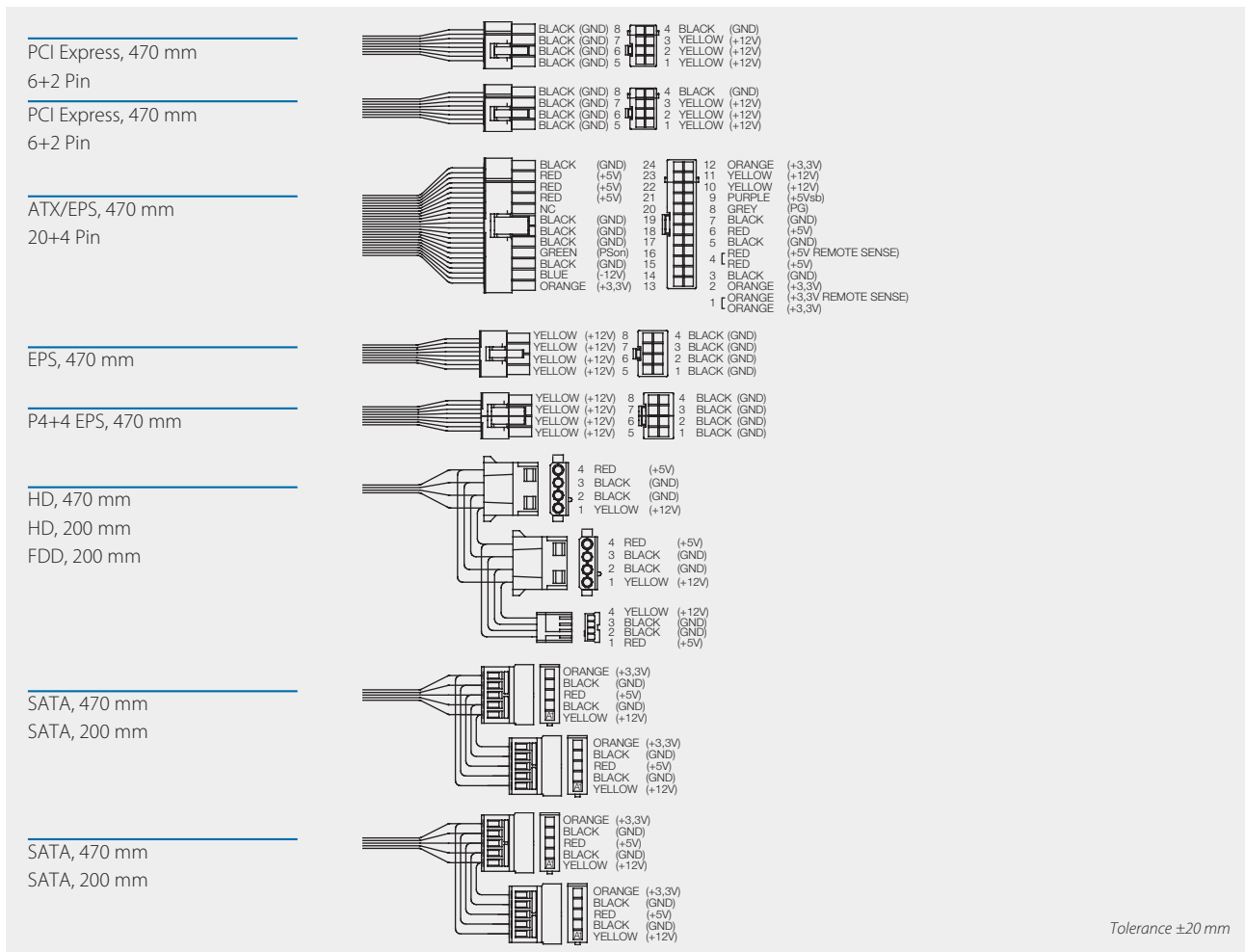
Max. output power is 500 W, combined output current at +3.3 V and +5 V must not exceed 35 A. Ripple and Noise was measured by a 20 MHz bandwidth limited oscilloscope with connected 100 µF electrolytic capacitor and 100nF ceramic capacitor at each output.

As a power component this PSU is for assembly purposes only and must not be operated in unassembled condition. The final assembly has to comply with the valid EMC and safety standards.

Drawing P1H-5500V



Cable harness P1H-5500V



Specification is subject to change without notice. Errors excepted. Status as at: 09.12.2011