

MRW-6400P-B2

400 Watt

- Silent by means of controlled fans
- Real redundancy
- 2 power inputs

The mini-redundant 400 W power supply MRW-6400P-B2 was designed as PS/2 substitute as well as for 19" rack server and storage applications. Full power is supplied without any interrupt even if one module fails. High system availability is given by exchanging modules during operation. Separate AC inputs allow supply from different power sources (UPS).



Technical data	
Input voltage	90...264 V AC, active PFC
Input frequency	47...63 Hz
Input current	8 A / (115 VAC) / 4 A (230 VAC)
Inrush current	60 A (115 VAC) / 80 A (230 VAC)
Efficiency	>63 % / 115 VAC
Hold up time	16 ms
Power-Good-Signal	Switch on delay 100...500 ms
Protection	Short circuit protection: At each output Overvoltage protection: +3.3 V (+3.9 V...+4.3 V) / +5 V (+5.7 V...+6.6 V) / +12 V (+13 V...+14.6 V) Overload protection: 110...170 %
Earth leakage current	<3.5 mA at 250 VAC
Safety / EMC	TÜV / UL / CE
Operating temperature	0...+40 °C
Derating	From 100 V...90 VAC and +40 °C: 4 W / V (90 VAC / 360 W, 100 VAC / 400 W)
MTBF	130 000 h at 25 °C, calculated without fan according to MIL-HDBK-217F
Storage temperature	-20...+80 °C
Operating humidity	20...80 % RH, non-condensing
Dimensions (WxDxH)	150 x 185 x 86 mm ±0.5 mm
Weight (net)	4.2 kg

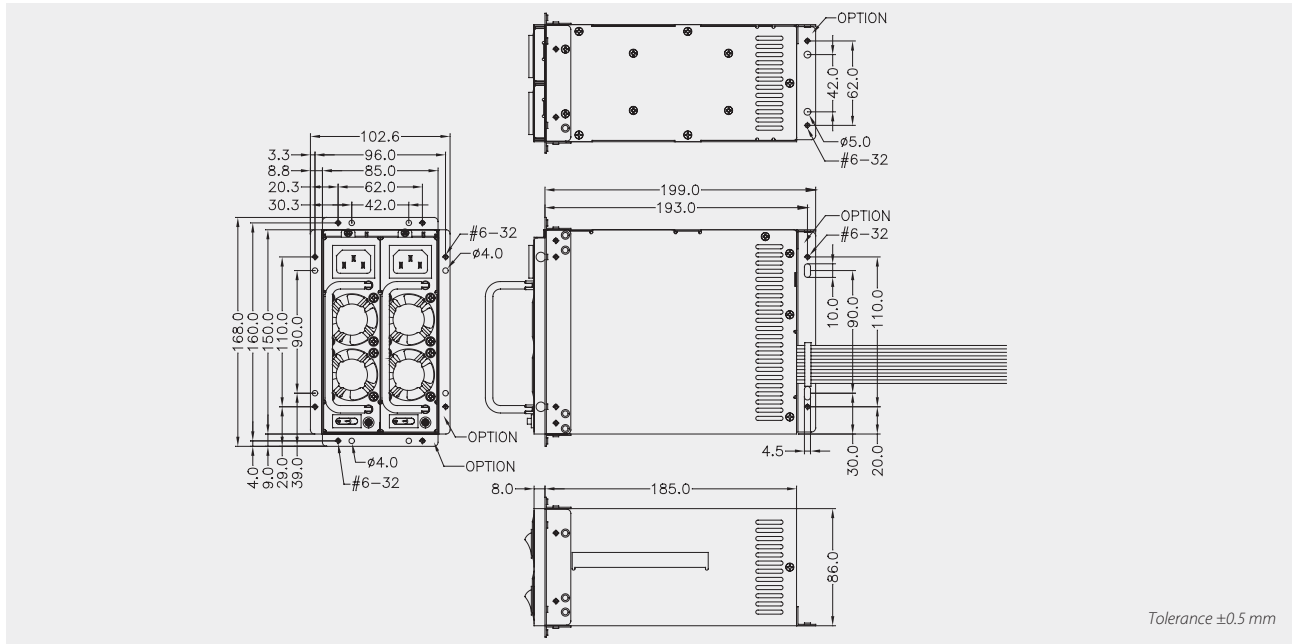
Product specific data	
Alarm functions	1. TTL signal, 2. Failure LED, 3. Reset for acoustic alarm

Article No.	Output voltage	Output current		Load regulation	Ripple & Noise
		min	max		
MRW-6400P-B2	+3.3 V	1 A	25 A	±5 %	±50 mV
	+5 V	3 A	35 A	±5 %	±50 mV
	+12 V	2 A	28 A	±6 %	±120 mV
	-12 V	0 A	1.2 A	±10 %	±150 mV
	-5 V	0 A	0.5 A	±10 %	±150 mV
	+5 V _{sb}	0.1 A	2 A	±5 %	±60 mV

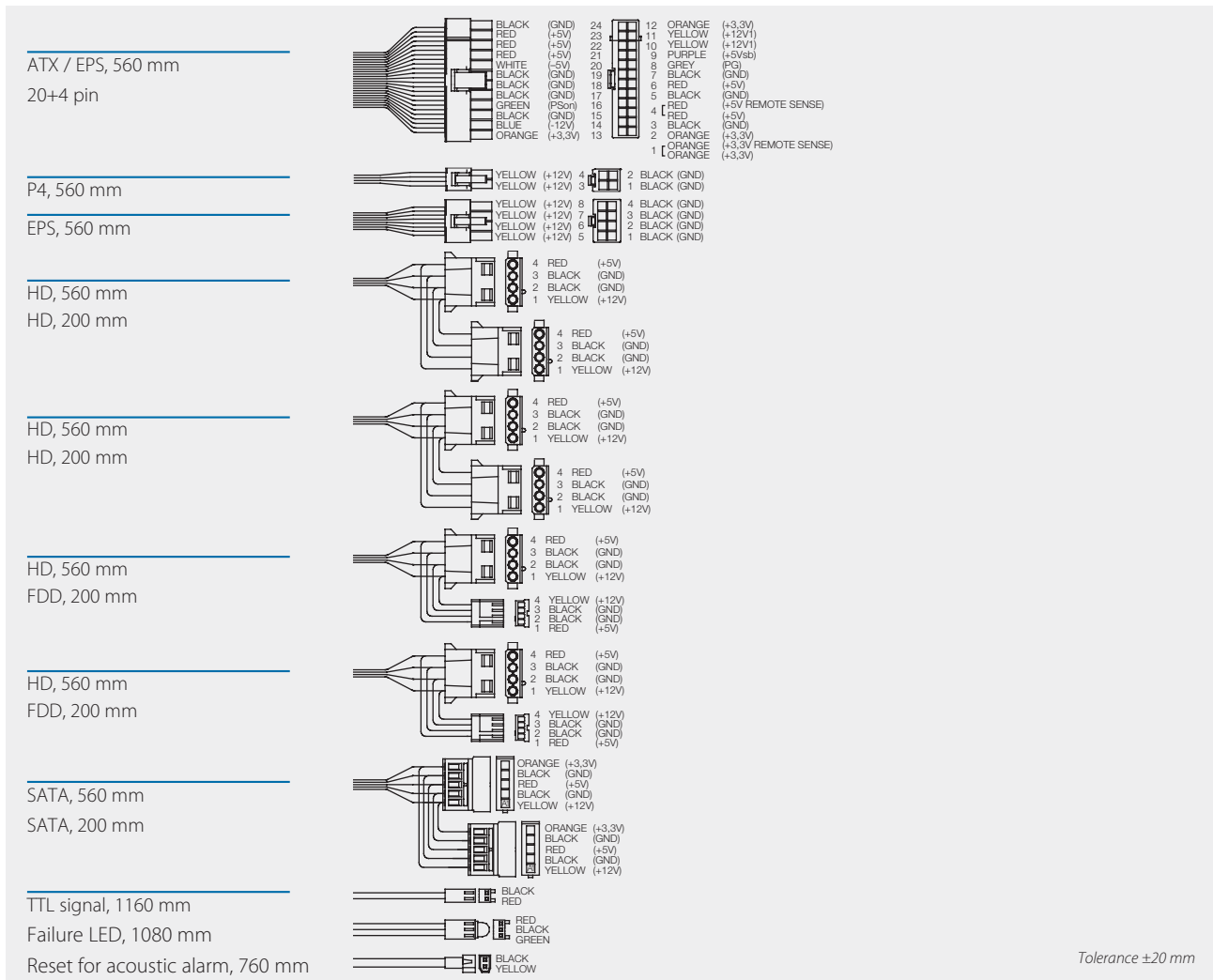
Combined output load at +3.3 V, +5 V and +12 V must not exceed 378 W. Combined output current at +3.3 V and +5 V or at +3.3 V and +12 V must not exceed 48 A. Ripple and Noise was measured by a 20 MHz bandwidth limited oscilloscope with connected 220 µF tantalum capacitor and 0.1 µF ceramic capacitor at each output.

As a power component this PSU is for assembly purposes only and must not be operated in unassembled condition. The final assembly has to comply with the valid EMC and safety standards.

Drawing MRW-6400P-B2



Cable harness MRW-6400P-B2



Specification is subject to change without notice. Errors excepted. Status as at: 10.01.2012