

M1Z2-5400V3V-B2

400 Watt

- Temperature controlled fan
- Passive backplane
- 2 mains voltage inputs

The energy-saving properties of the redundant server PSU M1Z2-5400V3V-B2 are achieved by its very high efficiency and low dissipation loss. It is distinguished by its innovative circuit design focusing on low current consumption. The completely redundant power supplies can be replaced during operation and so they ensure a very long availability of the system. Separate mains connectors allow supply from different power sources (UPS). Models with 460, 500, or 550 W power are also available.



Technical data

Input voltage	90...264 V AC, active PFC
Input frequency	47...63 Hz
Input current	6 A (115 V AC) / 3 A (230 V AC)
Inrush current	35 A (115 V AC) / 40 A (230 V AC)
Efficiency	>78 % / 115 V AC
Hold up time	16 ms
Power-Good-Signal	Switch on delay 100...500 ms
Protection	Short circuit protection: At every output Overvoltage protection: +3.3 V (+3.4 V...+5.7 V) / +5 V (+5.7 V...+6.5 V) / +12 V (+14.3 V...+17.3 V) Overload protection: 110...160 % each module
Earth leakage current	<3,5 mA at 250 V AC
Safety / EMC	TÜV / CB / CE
Operating temperature	0...+50 °C
Storage temperatur	-20...+80 °C
Operating humidity	20...80 % non-condensing
Dimensions (WxDxH)	101 x 265 x 84 mm ±0.5 mm
Weight (net)	6 kg

Product specific data

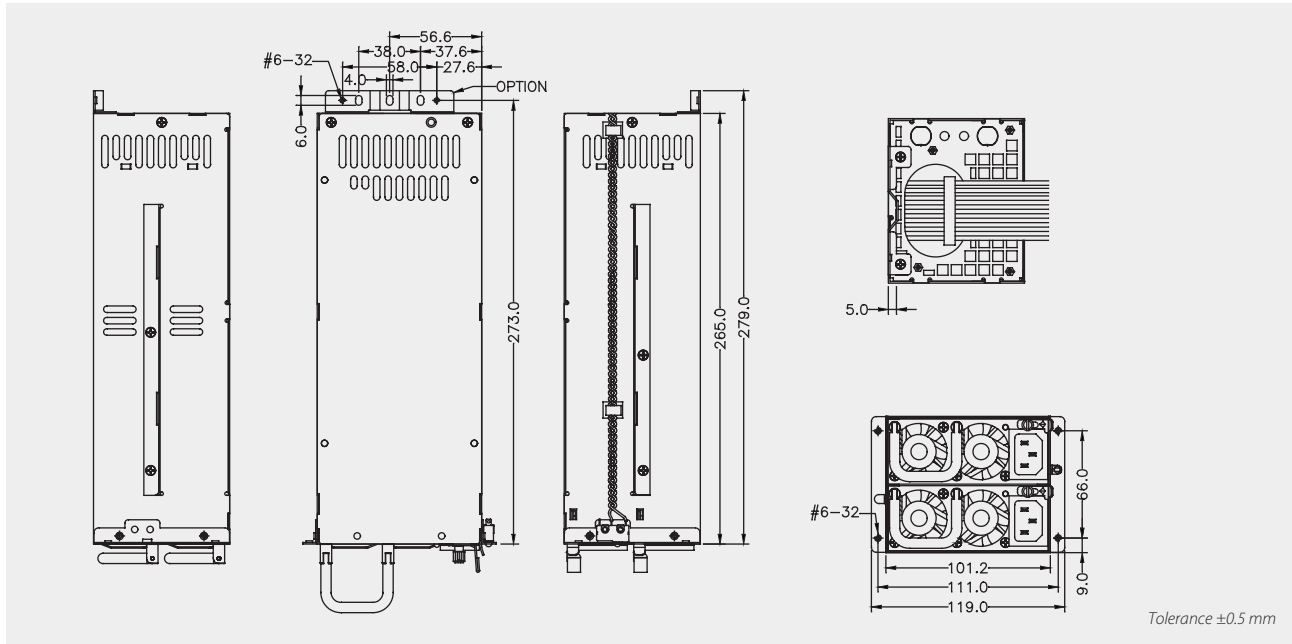
Alarm functions	1. TTL signal, 2. Failure LED, 3. Reset for acoustic alarm
-----------------	--

Article No	Output voltage	Output current		Load regulation	Ripple & Noise
		min	max		
M1Z2-5400V3V-B2	+3.3 V	0 A	24 A	±5 %	±70 mV
	+5 V	0.5 A	24 A	±5 %	±70 mV
	+12 V	1 A	32 A	±6 %	±120 mV
	-12 V	0 A	0.8 A	±10 %	±120 mV
	+5 V _{sb}	0 A	3.5 A	±5 %	±70 mV

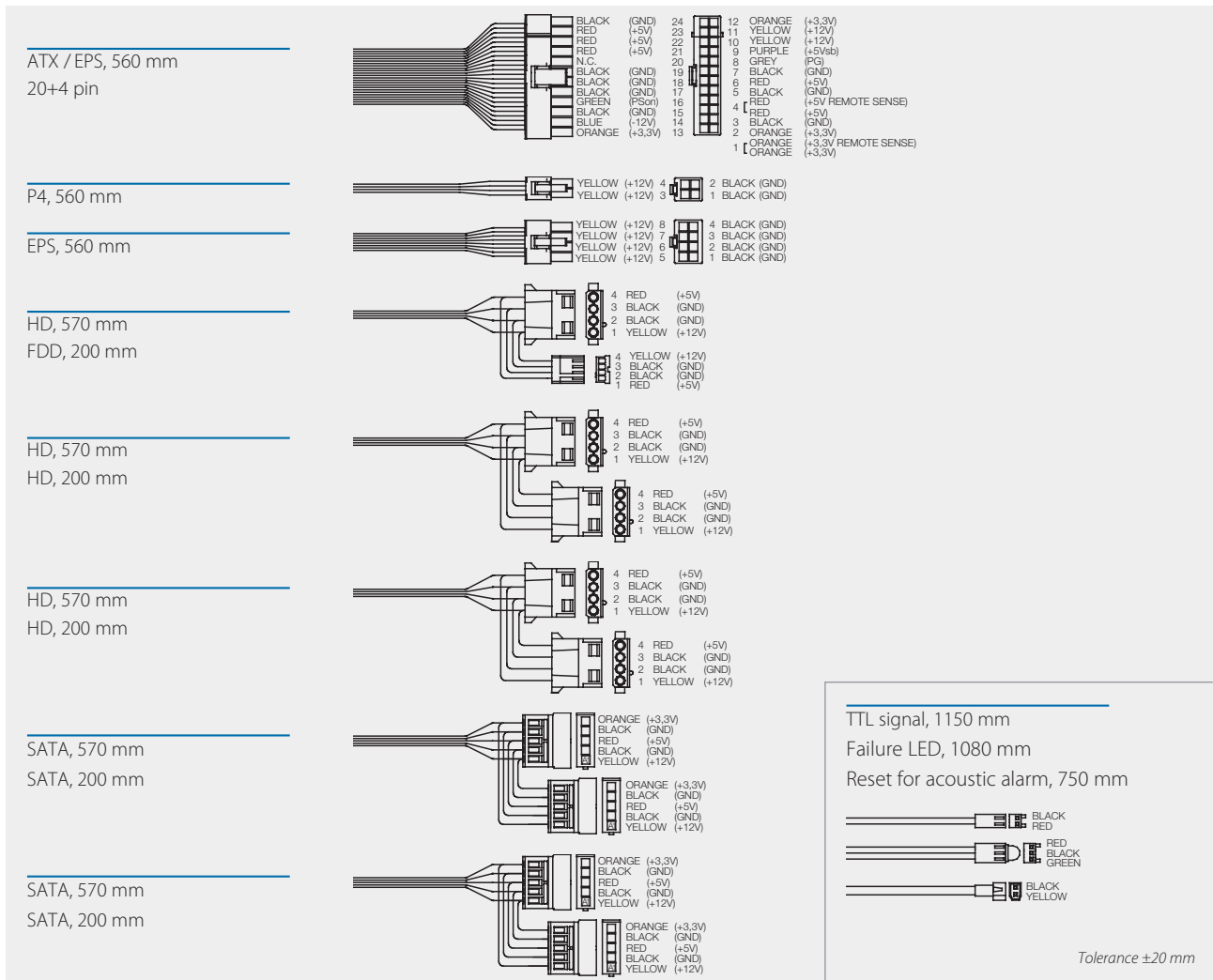
Combined output power at +3.3 V, +5 V, and +12 V must not exceed 450 W. Ripple and Noise was measured by a 20 MHz bandwidth limited oscilloscope with connected 220 µF electrolytic capacitor and 0.1 µF ceramic capacitor at each output. During a cross regulation test we recommend to keep the channel with higher output load at 80 % of its max. power and the channel with lower output load at 20 % of its max. power.

This power supply is for assembly purposes only and it must not be operated in unassembled condition. The final assembly has to comply with the valid EMC standards.

Drawing M1Z2-5400V3V-B2



Cable harness M1Z2-5400V3V-B2



Specification is subject to change without notice. Errors excepted. Status as at: 09.12.2011