

BS17A-H24 / 2.0L

24 V / 2.0 Ah

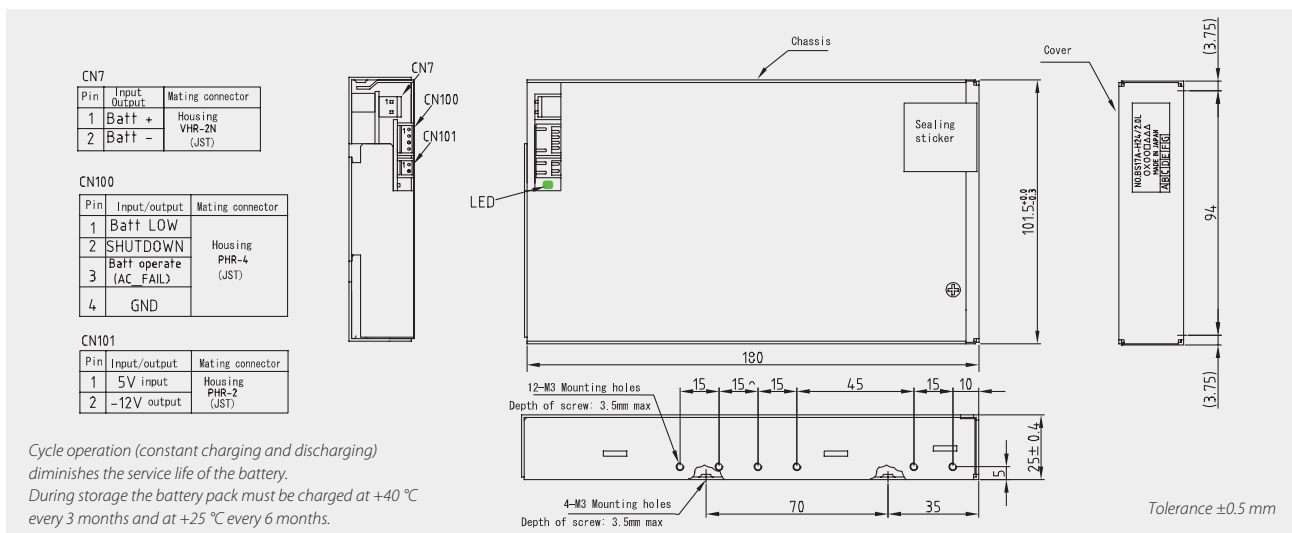
- Battery pack for PCFD-180-X2S / PCFL-180-X2S2
- NiMH battery
- Installation into 3.5" drive slot

The NiMH battery pack BS17A-H24/2.0L serves to store energy for the UPS PC power supplies PCFD-180-X2S / PCFL-180-X2S2. Due to the higher energy density of the maintenance-free nickel metal hydride cells back-up time is increased considerably – moreover, they weigh much less as compared to lead batteries. The NiMH battery pack is designed for installation into the 3.5" drive slot of a computer. A pin-and socket connector is provided for connection to the UPS PC power supply.

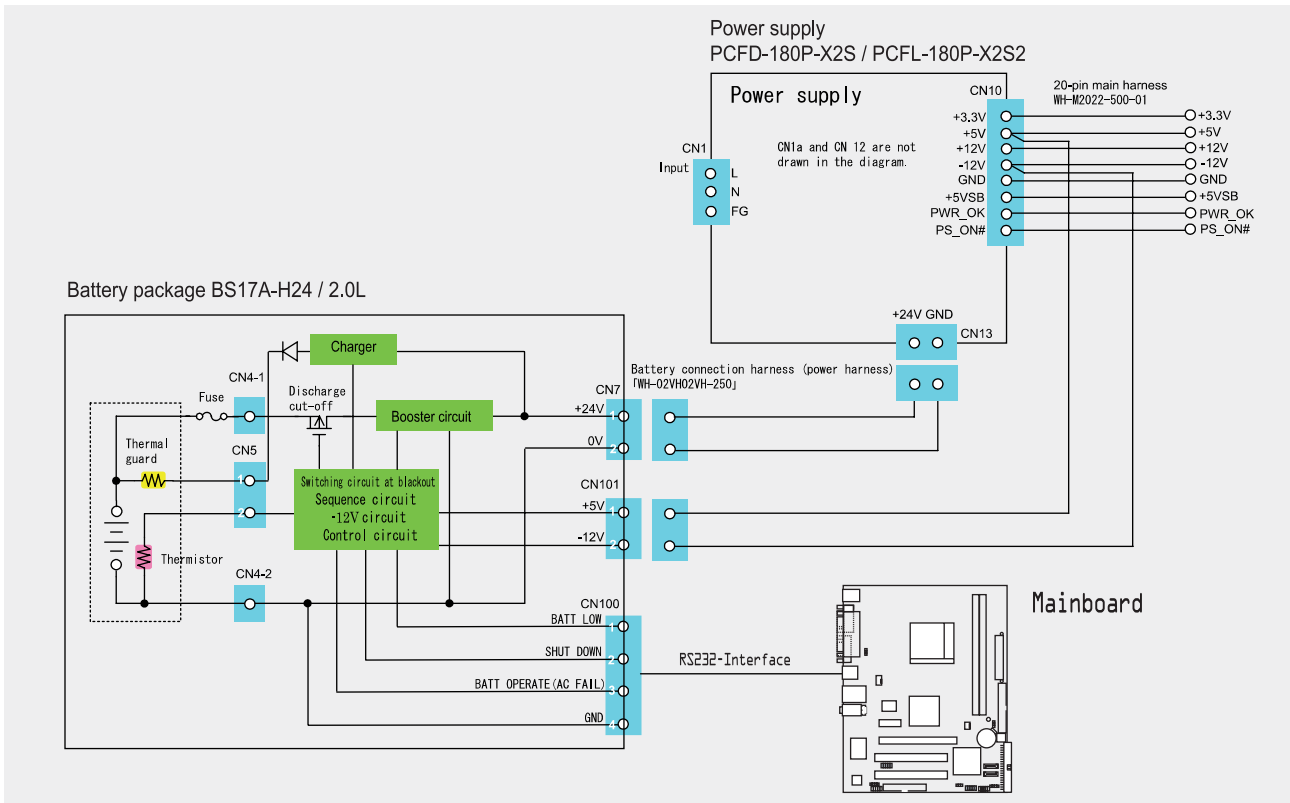


Technical data	
Voltage	24 VDC
Capacitance	2.0 Ah
Battery type	NiMH battery, 9.6 VDC, in UPS mode 18 VDC via booster
Output power	97.2 W (18 VDC / 5.4 A)
Peak power (5 Sec.)	0 °C / 80 W, +5 °C / 100 W, +10 °C / 110 W, +15 °C / 120 W, +20 °C / 130 W
Backup time of a typical PC	100 W app. 5 minutes, 50 W app. 11 minutes
Fuse	30 A
Charge current	0.2 A (15 h max.), internal charger
Operating temperature	0...+45 °C
Derating	0...+5 °C, 78 W
Storage temperature	-20...+30 °C, storage possible 1 year or less -20...+40 °C, storage possible 90 days or less -20...+50 °C, storage possible 30 days or less
Dimensions (WxDxH)	101.5 x 180 mm x 25 ±0.5 mm
Weight (net)	0.9 kg

Drawing BS17A-H24 / 2.0L



Connection BS17A-H24 / 2.0L



UPS function

Serial Interface RS232	
AC Fail PCFL-180P-X2S2	Output In case of mains voltage failure (under 75 V AC) the level drops to -9 V DC. If mains voltage is ok, the level is +9 V DC.
DC Fail PCFD-180P-X2S	Output In case of mains voltage failure (14 V DC, ±2 V) the level drops to -9 V DC. If mains voltage is ok, the level is +9 V DC.
Battery LOW	Output If battery is low (battery voltage 7.2...8 V DC,) the level drops to -9 V DC. If battery is ok, the level is +9 V DC.
Shutdown	Input Signal to switch off the PC power supply in UPS operation. The level must be ≥2.4 V DC for ≥60 ms
LED-Beschreibung	Charge: green LED light Trickle charge: LED flashes green (every 10 sec.) Discharge: LED flashes green (quickly)

In case of Microsoft operating systems from Windows® 2000 onwards UPS switch-off can be done via the APM function when activated in PC BIOS.

Optional accessory ▷▷▷ For detailed information please visit our website www.bicker.de and refer to the article number.

Article No.	Description
RUPS 2000-B1	UPS Management Software (CD-ROM)
WH-02VH02VH-250	Battery connector cable, length 250 mm
WH-S1004-500-02	Interface cable, length 500 mm

Windows® is a registered trademark of Microsoft Corp.

Specification is subject to change without notice. Errors excepted. Status as at: 27.04.2012