

BP-2425-05

24 V / 2.5 Ah

- Temperature range -30...+70 °C
- Long service life up to 15 years
- Temperature sensor

The high-quality battery pack BP-2425-05 serves to store energy for the DC UPS UPSI-B-2405. The equipped CYCLON cells are distinguished by their wide ambient operating temperature range from -30...+70 °C. The service life of CYCLON cells with up to 15 years is considerably higher as compared to conventional lead-acid batteries. To ensure maximal performance the charging voltage is controlled by a temperature sensor.



This battery pack consists of powerful and long living CYCLON cells!

Technical data

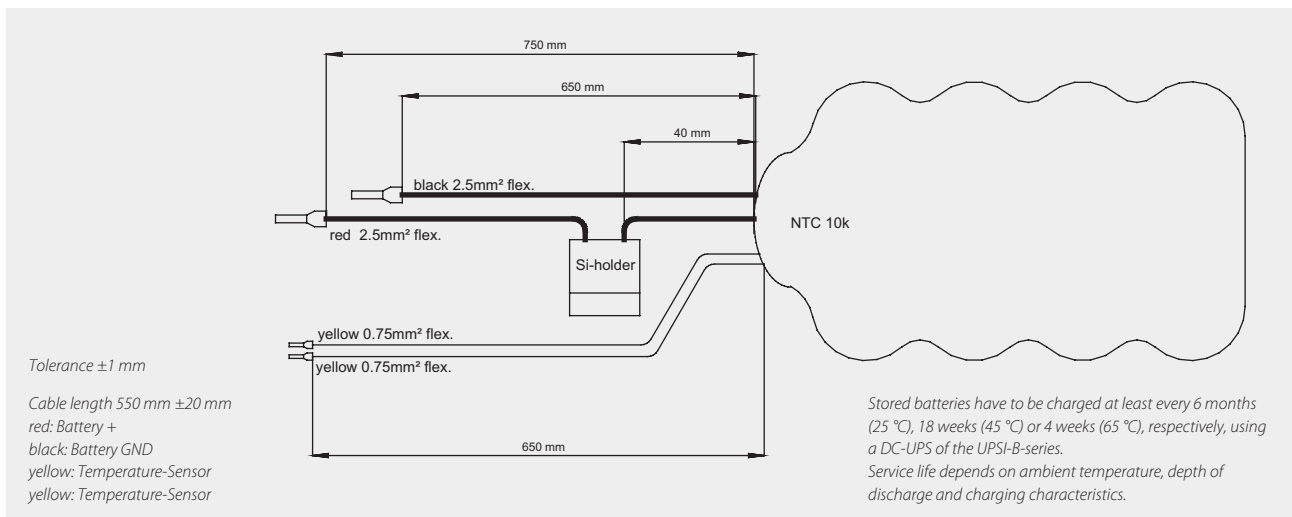
Nominal voltage	24 VDC
Capacitance	2.5 Ah
Numbers of batteries	12 cells à 2 V
Type of battery	Maintenance-free pure lead tin batteries
Life cycles	10 000...300 depending on ambient temperature, charge and discharge
Fuse	15 A, safety fuse
Operating temperature	-30...+70 °C
Storage temperature	-30...+70 °C
Temperature sensor	For use with UPSI-B series
Dimensions	100 x 155 x 67 mm, ±2 mm
Weight (net)	2.2 kg

Back up time, measured at +21 °C

Discharge current	1 A	3 A	5 A
Time app.	1 h 46 min	30 min	15 min 30 Sec

The Back up time depends on battery capacity, load and ambient temperature.

Drawing BP-2425-05



Specification is subject to change without notice. Errors excepted. Date: 09.12.2011

DC UPS