

BEA-740

450 Watt

- **Additional +24 V DC output**
- **High-quality electrolyte capacitors (+105 °C)**
- **Designed for continuous operation 24/7**

The BEA-740 power supply for industrial applications is equipped with an additional +24 VDC output. Peripheral equipment such as printers, magnetic card readers, scanners, etc. can be directly supplied with this PSU. Due to its high power rating of 120 W an additional 24 VDC power supply is usually no longer required. Typical fields of application are automatic cash dispensers, monitoring equipment, Point-of-Sale (POS) and Point-of-Information (POI) applications.



**Additional
+24 VDC
output**



AC input

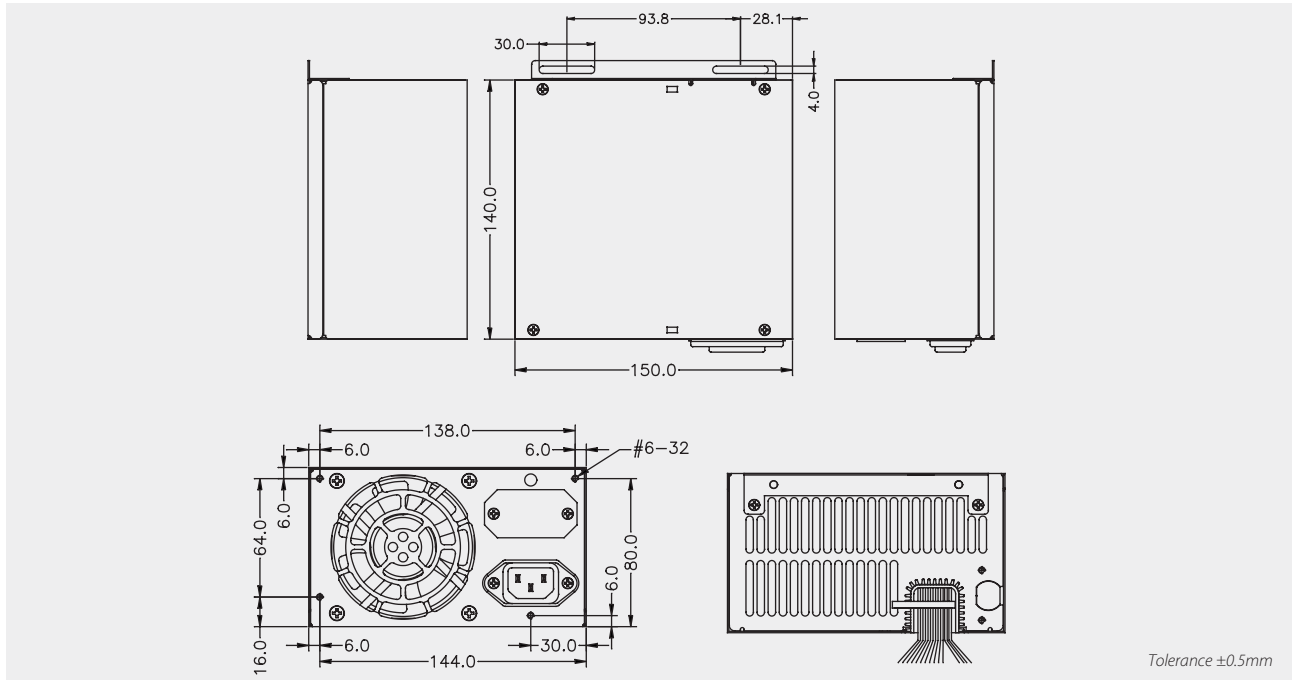
Technical data	
Input voltage	90...264 V AC, 120...380 V DC, active PFC
Input frequency	47...63 Hz
Input current	8 A (115 V AC) / 4 A (230 V AC)
Inrush current	40 (115 V AC) / 60 A (230 V AC)
Efficiency	≥70 %, 115 V AC (full load)
Hold up time	>16 ms
Power-Good-Signal	Switch-on delay 100...500 ms Switch-off delay 1 ms
Protection	Short circuit protection: At each output, switch off / +5 V _{sb} , auto-recovery Overload protection: 110...150 %, switch off Overvoltage protection: +3.3 V (+3.9...+4.3 V), +5 V (+5.7...+6.5 V), +12 V (+13.6...+15 V)
Insulation voltage	Input / Chassis 3100 VDC Input / Output 4242 VDC
Earth leakage current	<3.5 mA, 115 V AC / 230 V AC
Safety / EMC	CE
Operating temperature	0...+50 °C
Storage temperature	-20...+80 °C
Operating humidity	10...90 % RH, non-condensing
Dimensions (WxDxH)	150 x 140 x 86 mm ±0.5 mm
Weight (net)	2.1 kg

Article No.	Output voltage	Output current		Load regulation	Ripple & Noise
		min	max		
BEA-740	+3.3 V	0.5 A	21 A	±5 %	50 mV
	+5 V	1 A	25 A	±5 %	50 mV
	+12 V	0.5 A	24 A	±5 %	120 mV
	-12 V	0 A	0.5 A	±5 %	120 mV
	-5 V	0 A	0.5 A	±5 %	120 mV
	+5 V _{sb}	0 A	2 A	±5 %	50 mV
	+24 V	0 A	5 A	±5 %	200 mV

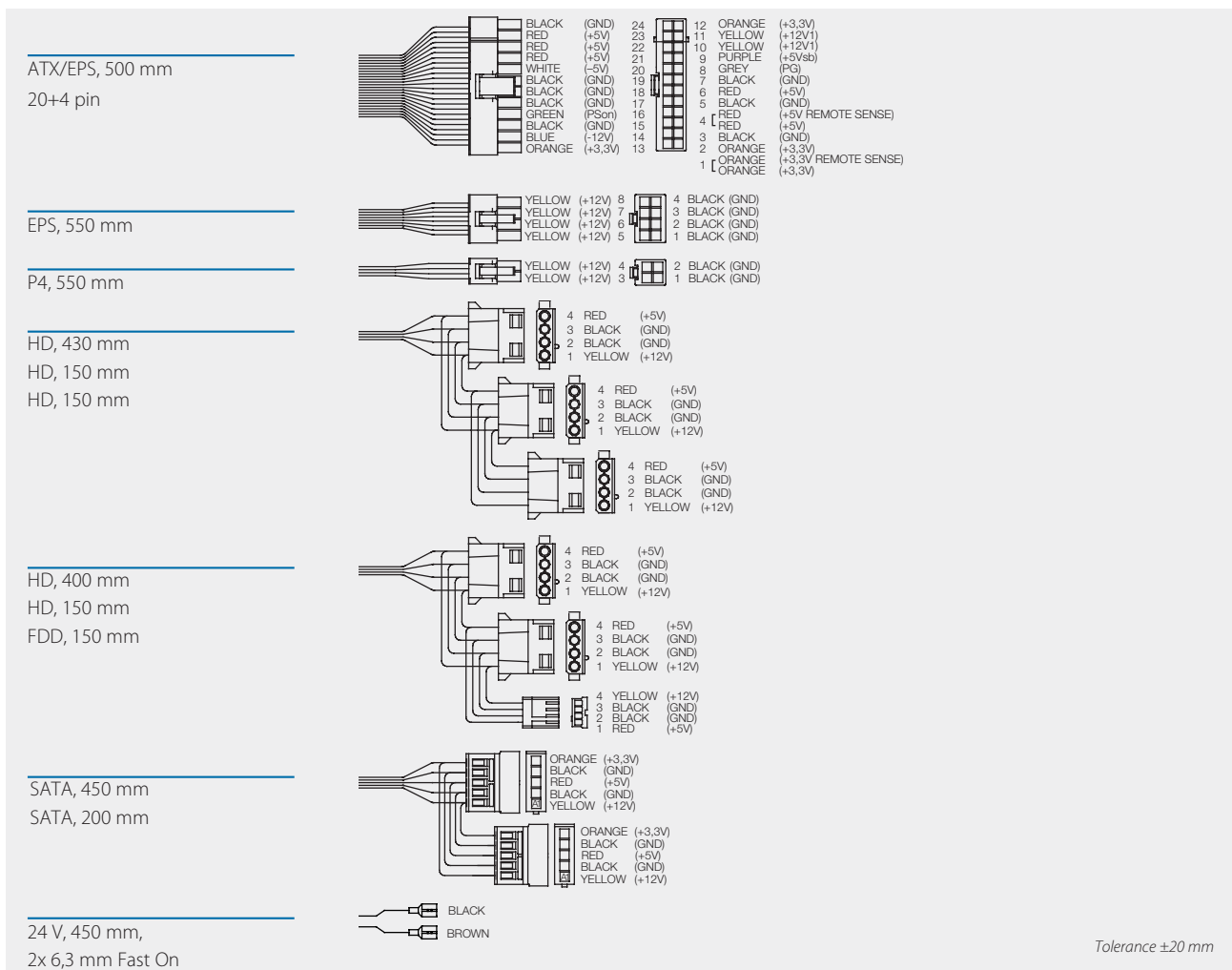
Ripple and noise was measured by a 20 MHz bandwidth limited oscilloscope with connected 220 µF electrolytic capacitor and 0.1 µF ceramic capacitor at each output. During a cross regulation test we recommend to keep the channel with higher output load at 80 % of its max. power and the channel with lower output load at 20 % of its max. power. From +5 V / ≥15 A onwards a load of ≥1 A must be connected at +12 V.

As a power component this PSU is for assembly purposes only and must not be operated in unassembled condition. The final assembly has to comply with the valid EMC and safety standards.

Drawing BEA-740



Cable harness BEA-740



Specification is subject to change without notice. Errors excepted. Status as at: 09.12.2011