

BES-540T

400 Watt

- -48VDC input
- TÜV and UL approved
- High efficiency >80%

The DC PC power supply BES-540T has been designed for use in industry, telecom and transport. Thanks to its broad input voltage range of -36 to -72VDC it can be supplied via -48VDC as well as -60VDC power networks. With a high output power load of +12VDC it is capable of safely supplying the necessary power for high-performance graphic applications. The fan on roller bearing is temperature controlled and provides a tachometer signal for monitoring.



NEW



DC input

Technical data	
Input voltage	-48VDC (-36...-72V)
Input current	11 A max. at -48VDC
Inrush current	<50 A (-48VDC / 25 °C)
Efficiency	>80% at full load
Hold up time	App. 1 ms
Power-Good-Signal	Switch on delay 100...500 ms
Protection	Short circuit protection: Switch off with auto recovery Inverse polarity protection input: existing Overvoltage protection: +3.3V (+3.6...+4.3V), +5V (+5.6...+6.5V), +12V (+13.2...+15V), switch off
Safety / EMC	CE, EN 60950-1, UL 60950-1
Operating temperature	0...+70 °C, startable from -20 °C
Derating	+40...+70 °C 1% / °C
MTBF	119000h according to MIL-HDBK-217F at 50 °C with fan
Storage temperature	-20...+80 °C
Operating humidity	20...85% RH, non-condensing
Dimensions (WxDxH)	150 x 140 x 86 mm ±0.5 mm
Weight (net)	1.65 kg

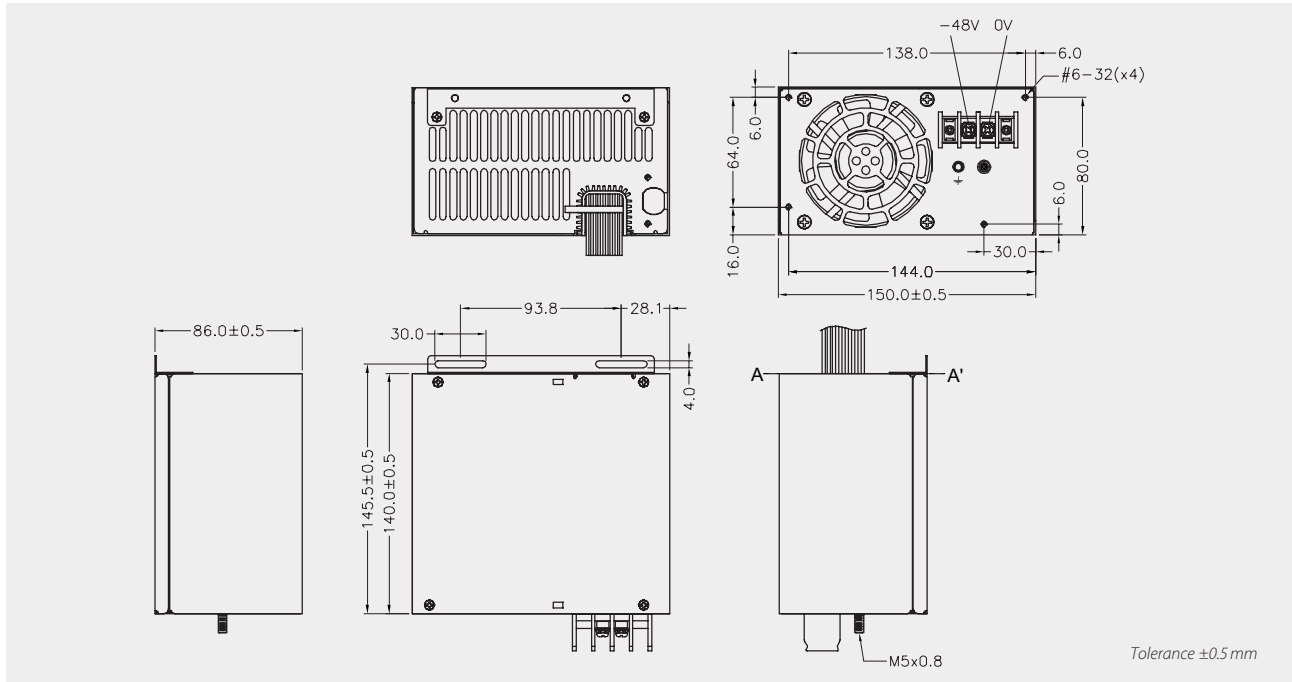
Article No.	Output voltage	Output current min	Output current max	Load regulation	Line regulation	Cross regulation	Ripple & Noise
BES-540T	+3.3V	0 A *	25 A	±5 %	±1 %	±5 %	±50 mV
	+5V	0 A *	25 A	±5 %	±1 %	±5 %	±50 mV
	+12V	0 A *	32 A	±5 %	±1 %	±5 %	±120 mV
	-12V	0 A	0.8 A	±10%	±1 %	±5 %	±120 mV
	+5V _{sb}	0.1 A	3.5 A	±5 %	±1 %	±5 %	±50 mV

* A total minimum base load of 10 W is required.

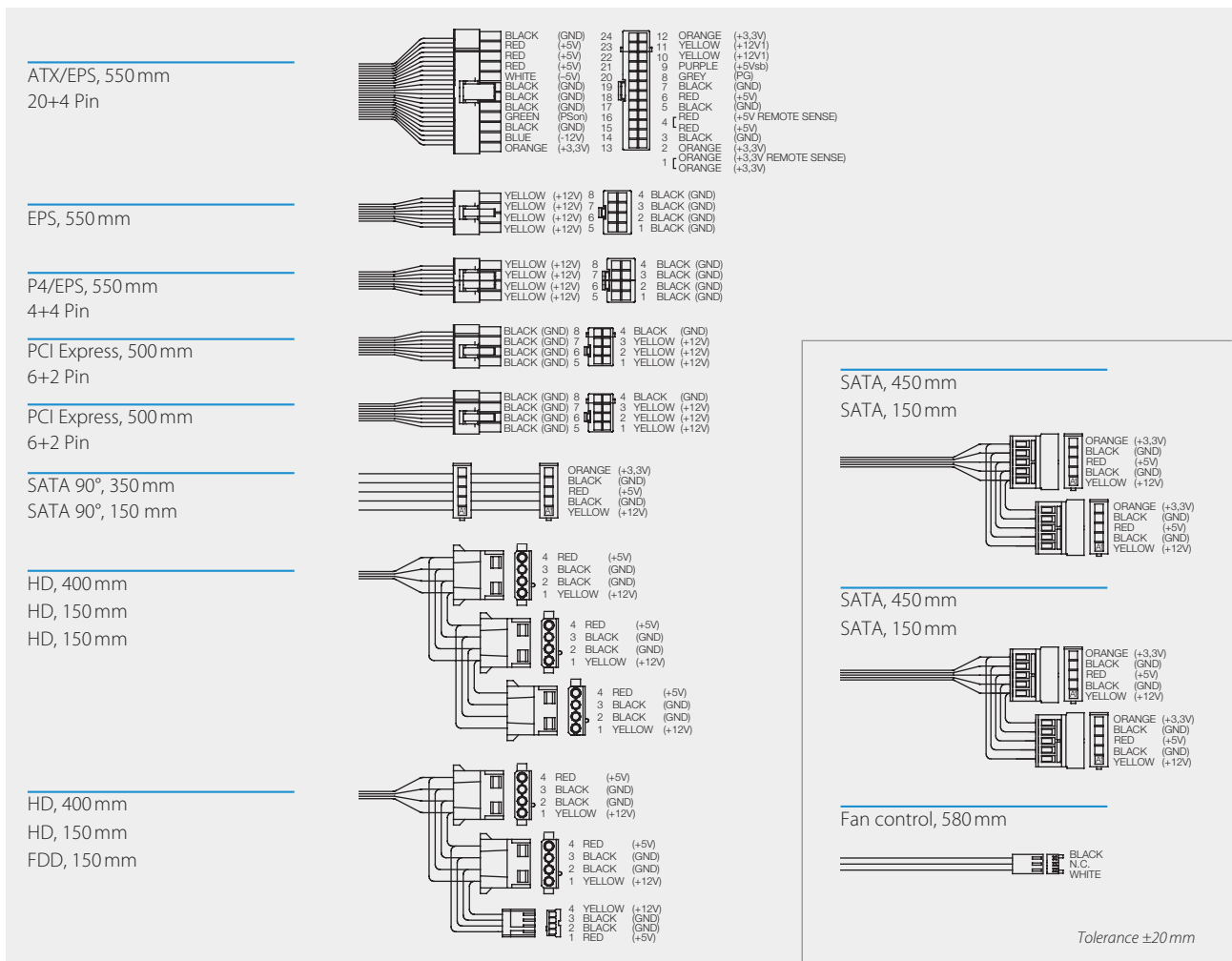
Max. output power is 400W, combined max. output power at +3.3V and +5V is 40A. Ripple and Noise was measured by a 20MHz bandwidth limited oscilloscope with connected 220µF electrolytic capacitor and 100nF ceramic capacitor at each output.

As a power component this PSU is for assembly purposes only and must not be operated in unassembled condition. The final assembly has to comply with the valid EMC and safety standards.

Drawing BES-540T



Cable harness BES-540T



Specification is subject to change without notice. Errors excepted. Status as at: 09.12.2011