

BEP-510-B4

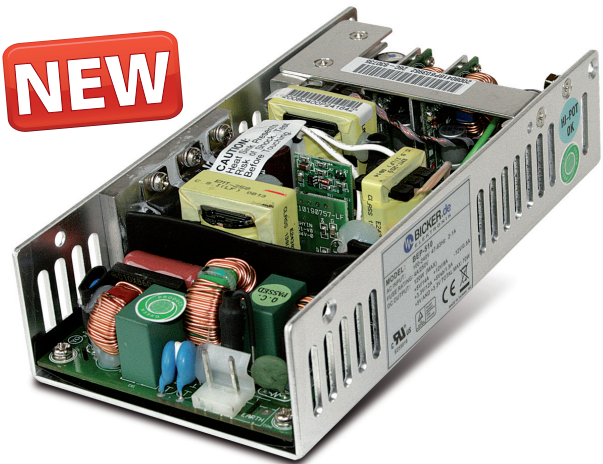
120 Watt

- Improved vibration protection according to EN 60945
- 100 Watt continuous fanless power!
- Up to 84 % efficiency

The ATX PC power supply BEP-510-B4 is suitable for installation in fanless industry computers. Its innovative switching design has been optimized for high efficiency. At nominal load the efficiency is 84 %. The device is designed for use in vibration proof „maritime equipment“ according to EN60945 and IACS E10 standards. The DC harness is firmly attached to the device.



NEW



AC input

Technical data

Input voltage	90...264 V AC, active PFC
Input frequency	47...63 Hz
Input current	2 A (115 VAC) / 1 A (230 VAC)
Inrush current	30 A (115 VAC) / 70 A (230 VAC)
Efficiency	≥80 % (at full load and 115 VAC)
Hold-up time	>41 ms at 115 VAC and full load
Power-Good-Signal	Switch on delay 100...550 ms Switch off 1 ms
Protection	Short circuit protection: At each output, switch off Overload protection: 110...160 %, switch off Overvoltage protection: Switch off, +3.3 V (3.6...4.3 V), +5 V (5.6...6.5 V), +12 V (13.2...15 V) Overtemperature protection: Switch off open
Earth leakage current	<3.5 mA
Safety / EMC	CE, UL 60950-1, TÜV: EN 60950-1
Operating temperature	0...+70 °C
Derating	See diagramm
Storage temperature	-20...+70 °C, Start at -10 °C
Operating humidity	5...95 % RH, non-condensing
Dimensions (WxDxH)	83.8 x 165 x 40 mm ±0.4 mm
Weight (net)	0.6 kg

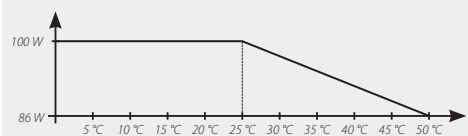
Article No.	Output voltage	Output current		Load regulation	Ripple & Noise
		min	max		
BEP-510-B4	+3.3 V	0 A	12 A	±5 %	50 mV
	+5 V	0 A	14 A	±5 %	50 mV
	+12 V	0 A	8 A	±5 %	120 mV
	-12 V	0 A	0.5 A	±10 %	120 mV
	+5 V _{sb}	0 A	1.5 A	±5 %	50 mV

Output power at +3.3 V, +5 V, +12 V and -12 V is 93 W (without fan). 100 W power can be supplied without fan, and 120 W full power using a 20 CFM fan. As a power component this PSU is for assembly purposes only and must not be operated in unassembled condition. The final assembly has to comply with the valid EMC and safety standards.

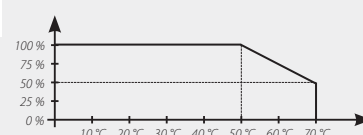
Supplementary data for derating from +50...+70 °C

- Fanless 86 W
- Load at +3.3 V / +5 V fanless (50 W)
- With 20 CFM fan 120 W
- Load at +3.3 V / +5 V with 20 CFM fan (70 W)
- Output current per channel

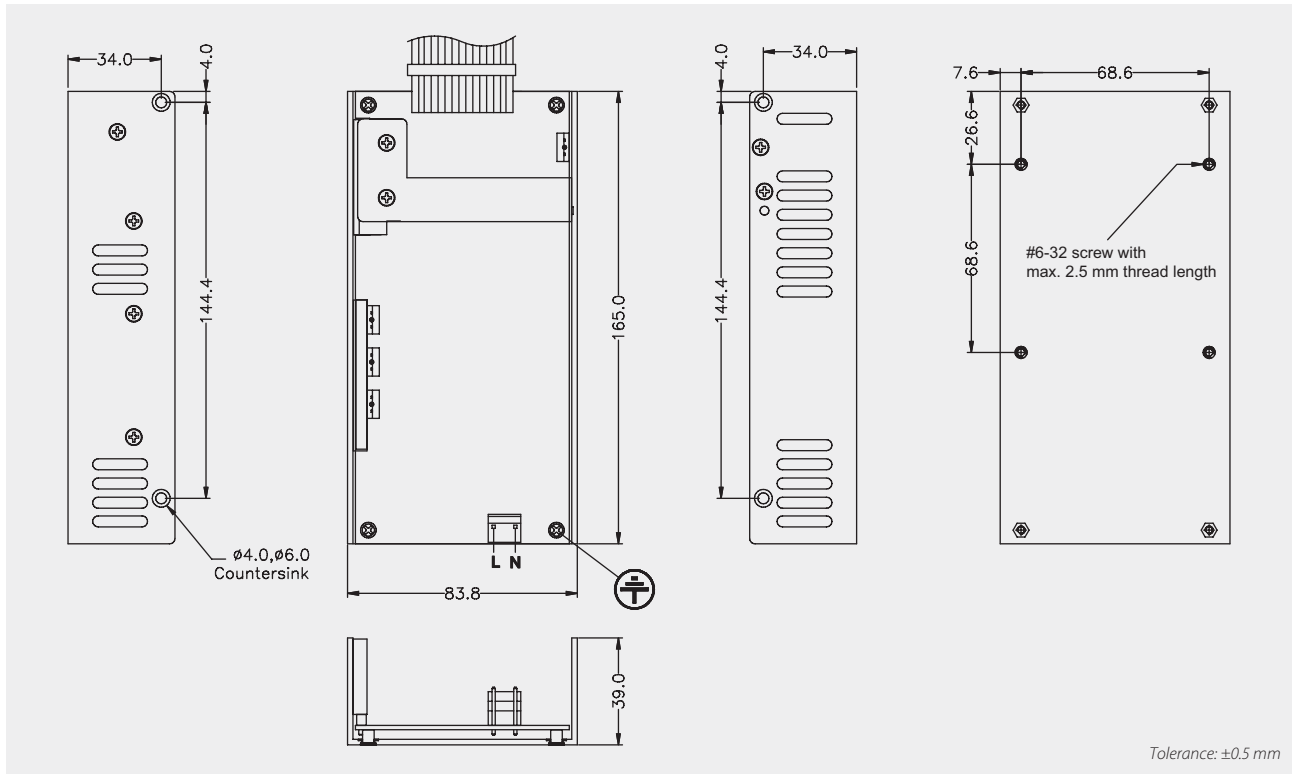
Fanless operation from 0...+50 °C



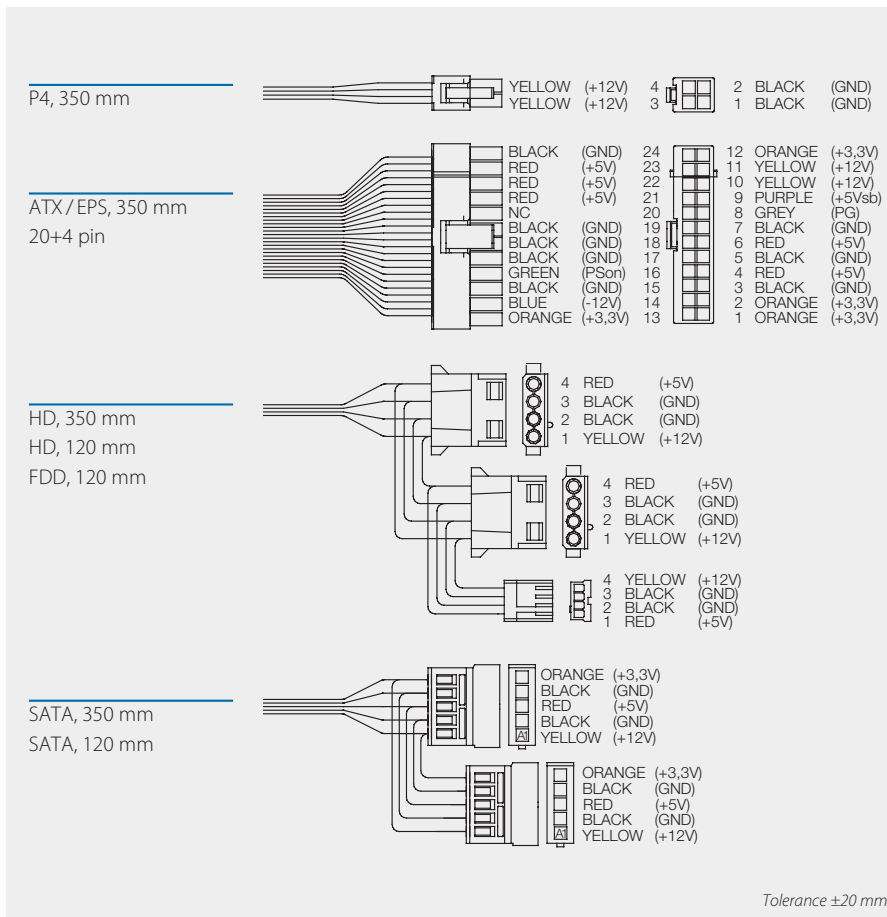
Derating from +50...+70 °C



Drawing BEP-510-B4

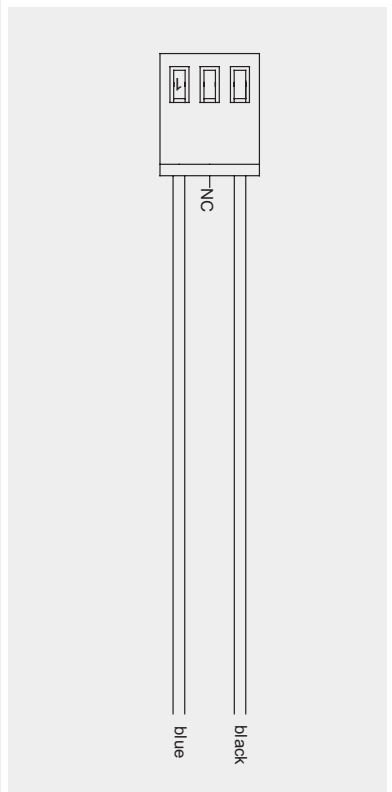


Cable harness BEP-510-B4



Optional accessories

Article No.	Description
X1-024	AC input cable 2-pole / Length: 620 mm AWG 18 / Ends open



Specification is subject to change without notice. Errors excepted. Status as at: 16.03.2012