

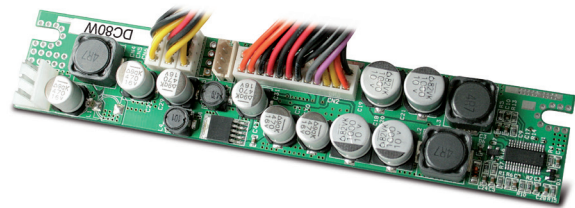
DC80W

80 Watt



- Extremely small and space saving
- High efficiency up to 90 %
- Ideal for low-budget applications

The extremely flat and very slender ATX DC/DC converter has been designed for installation in closed, fanless box computers. It is characterized by a very high efficiency and a low thermal dissipation rate. Due to its robust construction and high-quality components it is ideal for implementation in industrial and medical devices. A firmly connected cable harness is standard.



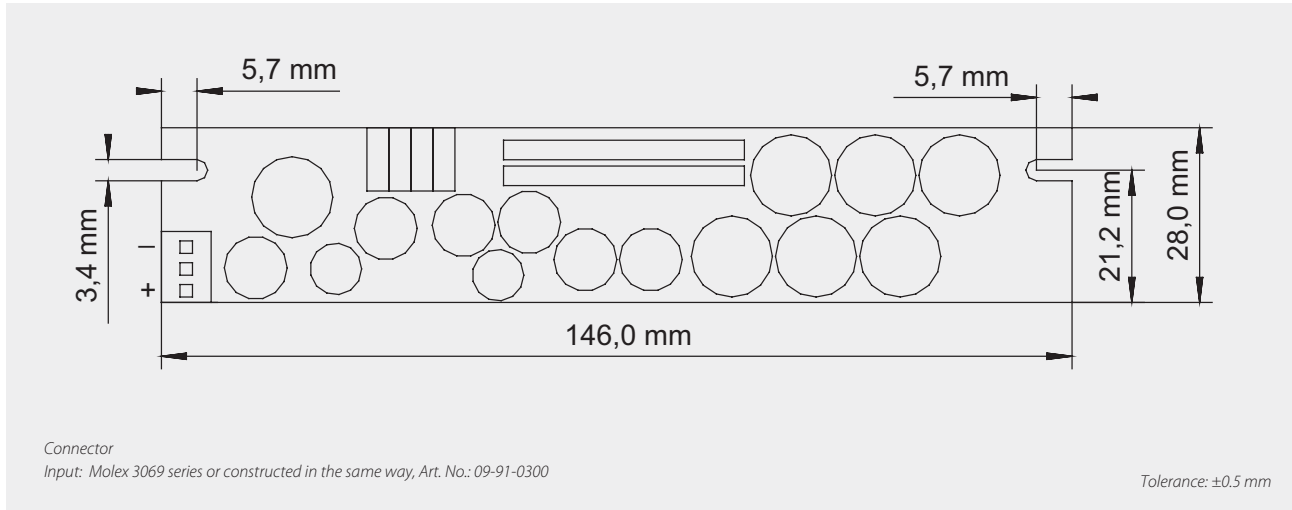
Technical data	
Input voltage	12 VDC (11.4...12.6 VDC)
Input current	11 A max. (12 VDC)
Efficiency	90 % at nominal load
Power-Good-Signal	Switch on delay 100...500 ms Switch off delay 1 ms
Protection	Input: Inverse-polarity protection, no Short circuit protection: +3.3 V, +5 V, switch off Output: Overvoltage protection: +3.3 V, +5 V (via controller)
Insulation voltage	Non-isolated input / output
Operating temperature	0...+50 °C
Derating	Depending on operating temperature and power a Gap Pad® or fan may be required. The board temperature should not exceed +60 °C. <u>Reference measurement at +50 °C:</u> +3.3 V / 4 A, +5 V / 4 A, +12 V / 4 A with Gap Pad® on aluminium (170 x 50 x 4 mm)
Storage temperature	-20...+70 °C
Operating humidity	10...90 % RH, non-condensing
Dimensions	146 x 28 x 22 mm ±0.5 mm
Weight (net)	0.12 kg

Article No.	Output voltage	Output current			Load regulation	Ripple & Noise
		min	max	peak		
DC80W	+3.3 V	0 A	6 A	8 A	±5 %	50 mV
	+5 V	0 A	6 A	8 A	±5 %	50 mV
	+12 V	0.1 A	4 A	5 A	±5 %	120 mV
	-12 V	0 A	0.1 A	0.2 A	±10 %	120 mV
	+5 V _{sb}	0 A	1 A	1.5 A	±5 %	100 mV

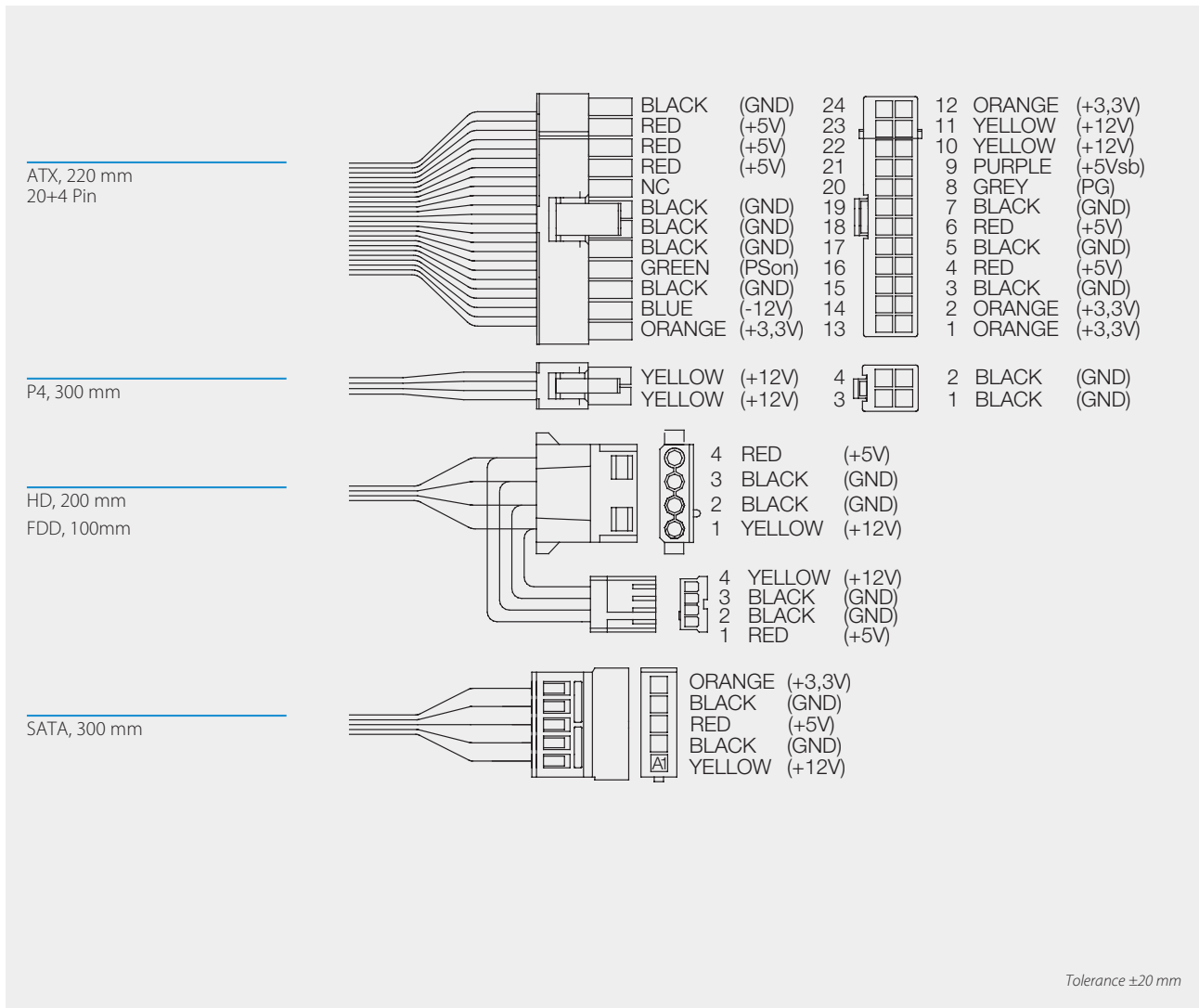
Max. power is 80 W. Without galvanic isolation!

This unit is for assembly purposes only and it must not be operated in unassembled condition. The final assembly has to comply with the valid EMC standards.

Drawing DC80W



Cable harness



Specification is subject to change without notice. Errors excepted. Status as at: 09.12.2011

Included in delivery

DC input cable harness for barrel connector 5.5 x 2.5 mm, length 230 mm ±20 mm