

SS-250SU-B1

250 Watt



- Compact
- Temperature controlled fan
- Quiet!

The SS-250SU-B1 provides a temperature controlled fan regulation for noise optimisation. Furthermore, it shows a very compact size and a high efficiency over 80%, all this for a very attractive price. This Power Supply will fit in all kind of smaller PC solutions in the industrial and professional field.



AC input

Technical data

Input voltage	100...264 VAC, active PFC
Input frequency	47...63 Hz
Input current	2.5 A (230 VAC) / 5 A (115 VAC)
Inrush current	100 A (264 VAC)
Efficiency	83...85 %
Hold up time	16 ms
Power-Good-Signal	Switch on delay 100...500 ms Switch off delay 1 ms
Protection	Short circuit protection: at each output Overload protection: switch off at 135 % Overvoltage protection: +3.3 V (+3.76...+4.8 V), +5 V (+5.7...+7 V), +12 V (+15.6 V)
Earth leakage current	<3.5 mA
Safety / EMC	CE, TÜV, UL, CB, CCC
Operating temperature	0...+40 °C
Derating	From +40...+50 °C, 2 %/ °C
MTBF	100 000 h at +25 °C, without fan at 75 % load
Storage temperature	-40...+60 °C
Operating humidity	10 %...95 % RH, non-condensing
Dimensions (WxDxH)	81.5 x 150 x 40.5 mm ±0.5 mm
Weight (net)	0.7 kg

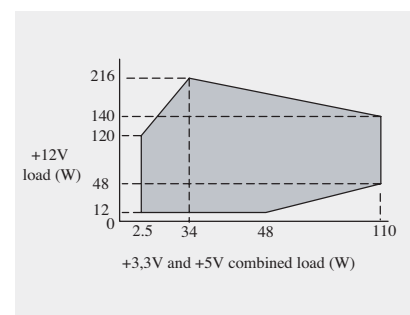
Article No.	Output voltage	Output current			Voltage regulation	Ripple & Noise
		min	max	peak		
SS-250SU-B1	+3.3 V	0.1 A	14 A		±5 %	50 mV
	+5 V	0.2 A	17 A		±5 %	50 mV
	+12 V ₁	0.1 A	8 A	10 A	±5 %	120 mV
	+12 V ₂	0.5 A	14 A	16 A	±5 %	120 mV
	-12 V	0 A	0.8 A		±10 %	120 mV
	+5 V _{sb}	0 A	2 A	2.5 A	±5 %	50 mV

Max. output on +3.3 V and +5 V combined shall not exceed 110 W, on +12 V₁ and +12 V₂ not 216 W or 18 A. Peak output can be up to max. 1 second. Peak output combined is 275 W. Ripple and Noise was measured by a 20 MHz bandwidth limited oscilloscope with connected 10 µF electrolytic capacitor and 0.1 µF ceramic capacitor at each output.

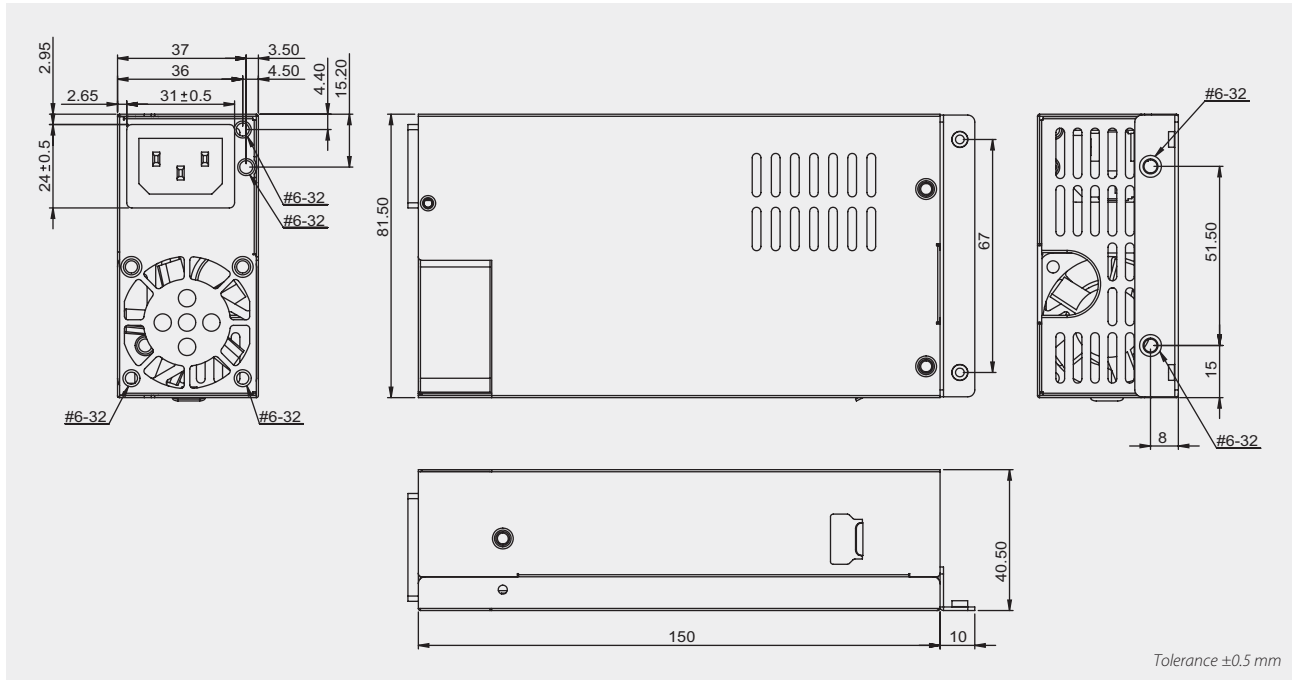
As a power component this PSU is for assembly purposes only and must not be operated in unassembled condition. The final assembly has to comply with the valid EMC and safety standards.

Cross regulation

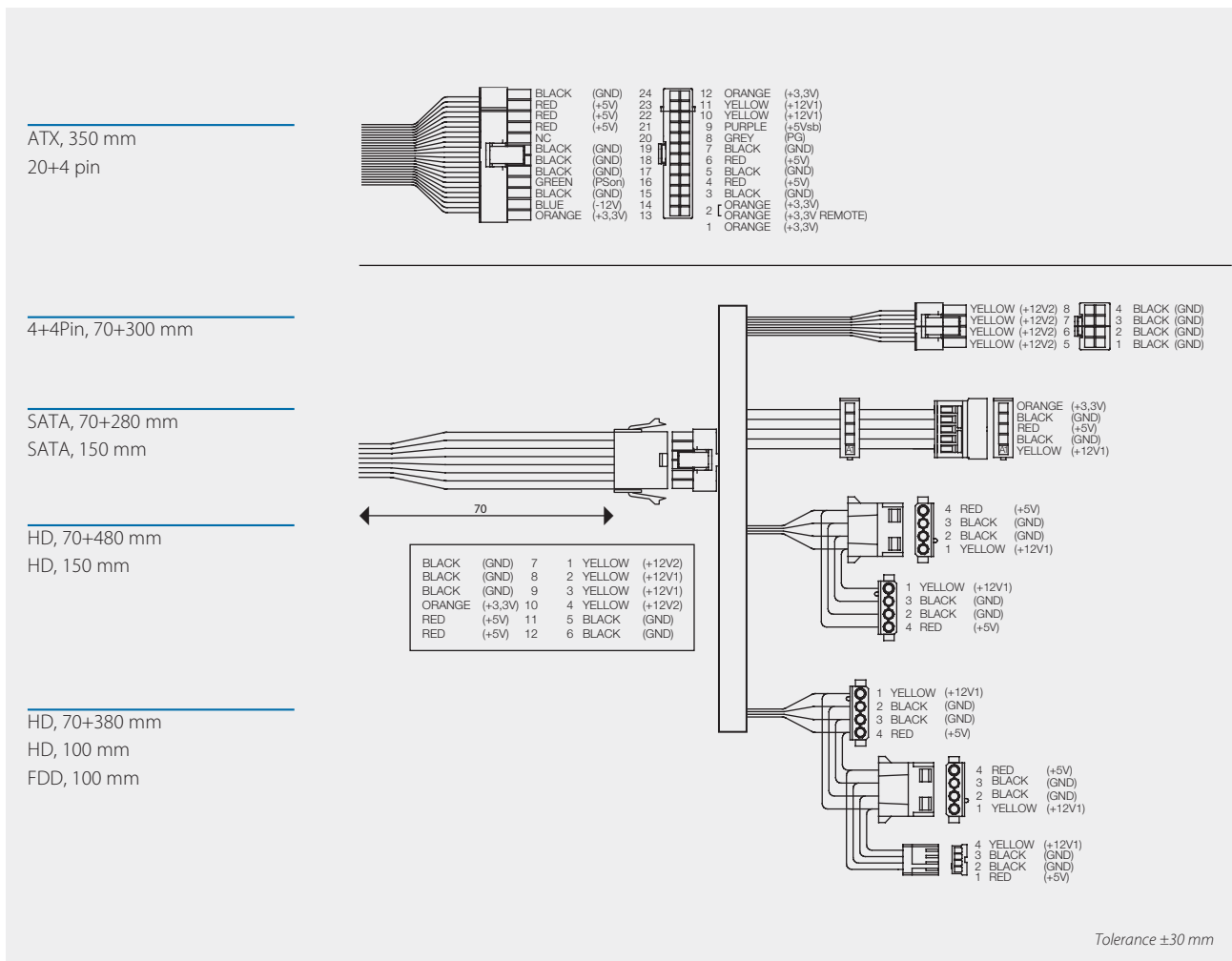
Voltage regulation on +5 V, +3.3 V and +12 V



Drawing SS-250SU-B1



Cable harness SS-250SU-B1



Specification is subject to change without notice. Errors excepted. Status as at: 09.05.2012