

UPSI-2402-IP

24 VDC / 5 A



- Outdoor UPS
- Protection class IP67
- Robust aluminium casing

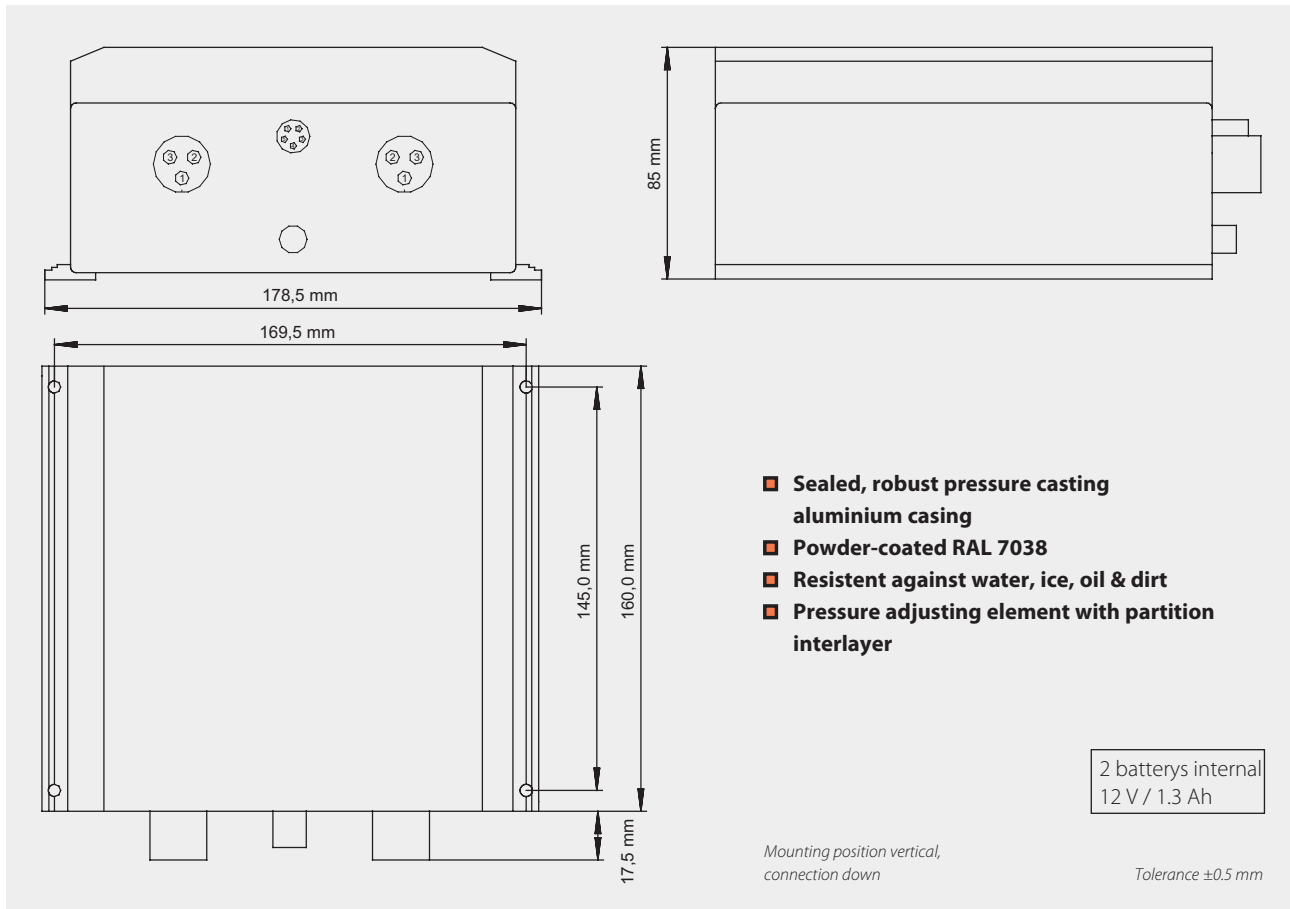
The DC-UPS UPSI-2402-IP has been designed for outdoor use. The robust casing protects electronic parts according to protection class IP67 against intrusion of water, dust and dirt. The μ C-controlled DC-UPS is equipped with various protective functions and a battery control. In case of a supply voltage failure, the battery-capacity is sufficient to ensure the necessary supply to the user. Additionally, the UPSI-2402-IP is equipped with a load sensor and a timer function.



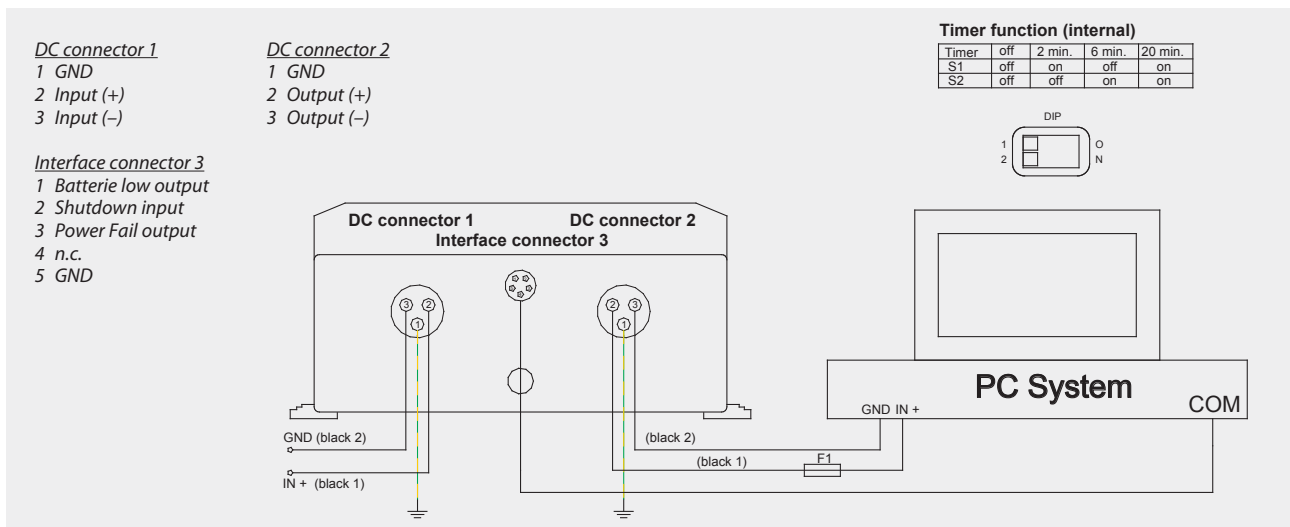
Technical data	
Input voltage	24 VDC (22.5...30 V)
Input current	5.5 A max.
Output voltage	In normal mode: app. 0.5 V below input voltage In battery mode: app. 29...19 VDC
Output current	5 A max.
Battery charge current	0.4 A max. (internal battery charger)
Charging method	UI characteristic, with temperature regulation
Protection	Deep discharge protection: 19 VDC \pm 2 % Overload protection at output: 10 A for 2 seconds, switch off Short-circuit protection: Switch off
Transfer time / limits	Mains / battery 20 VDC \pm 2 %, Battery / mains 22 VDC \pm 2 %
Interface	DSUB9 connector, female (at interface cable) Outputs: Power Fail, Battery Low Input: Shutdown Optionally also available with UPS software for connection to common operating systems
Type of battery	Equipped lead-gel-battery, maintenance-free, 1.3 Ah
Safety / EMC	CE
Operating temperature	0...+40 °C
Storage temperature	-10...+40 °C
Storage humidity	0...95 % RH, non-condensing
Dimensions (WxDxH)	178.5 x 160 x 85 \pm 0.5 mm
Weight (net)	2.7 kg

Product specific data	
Battery monitoring	Battery test is carried out in normal mode approx every 10 minutes (optional signaling contact)
Power consumption	App. 50 mA
Shutdown suppression	During system start-up the shutdown signal is suppressed for app. 2 minutes.
Reboot function	If power fails and then returns during the shutdown mode of Windows®, the operating system will ‚lock‘ with the message „Your PC is now safe“. The reboot function restarts the system after about 10 seconds.
Load sensor	Switch-off in UPS mode <10 Watt
Timer function	2 min – 6 min – 20 min – off, adjustable via DIP switch
Back up time	App. 30 min at 1 A / app. 8 min at 3 A / app. 3 min at 5 A (measured at +20 °C)

Drawing UPSI-2402-IP



Connection



Accessories (included in delivery)

Input / Output cable (open end), length 2 m

Interface cable (DSUB 9), length 2 m

Optional accessory ▷▷▷ For detailed information please visit our website www.bicker.de and refer to the article number.

Article No.	Description
RUPS2000-B1	UPS Management Software (CD-ROM)